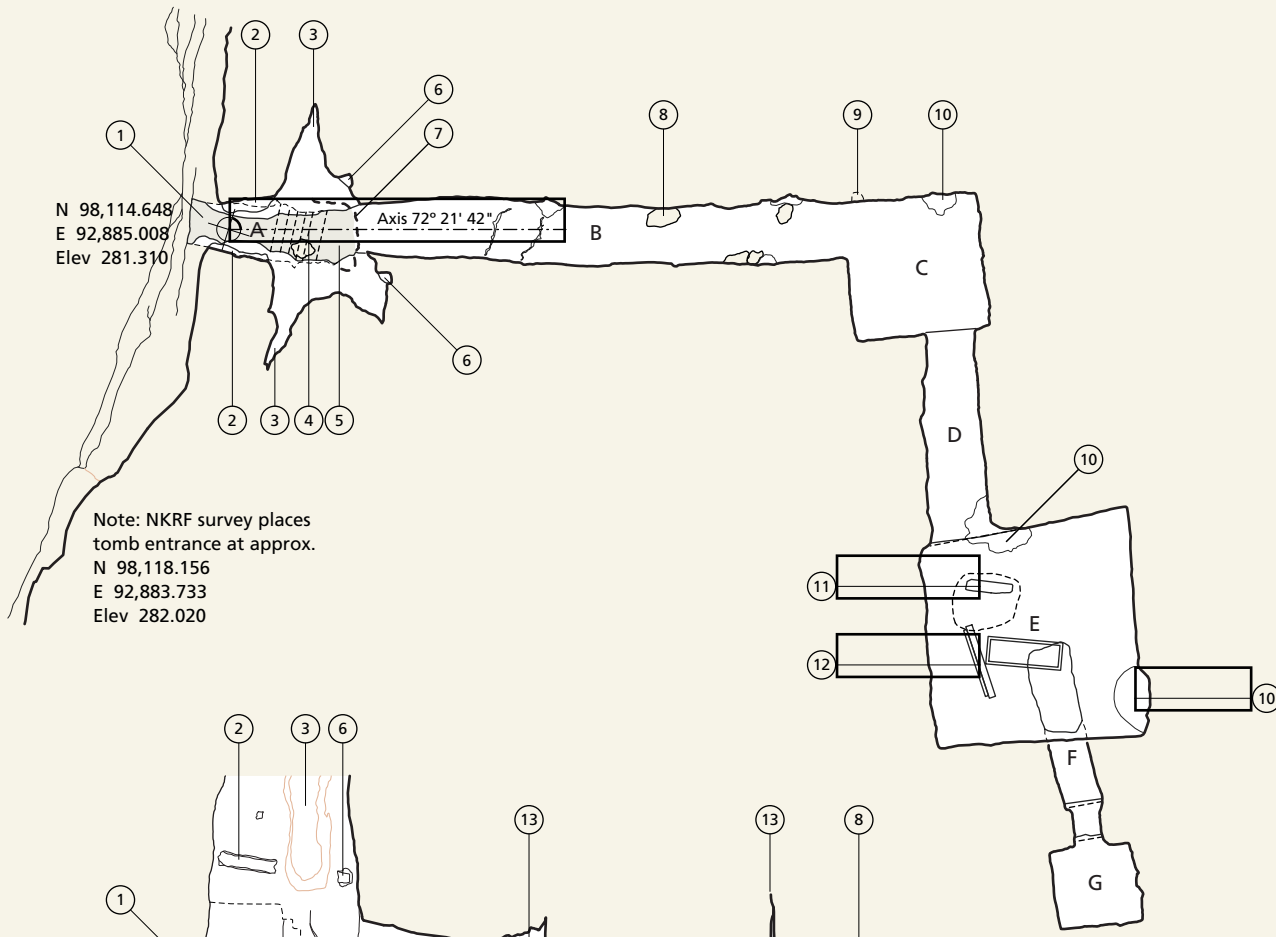
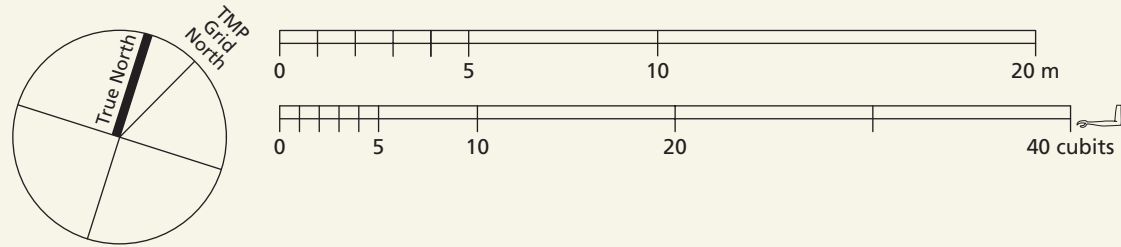
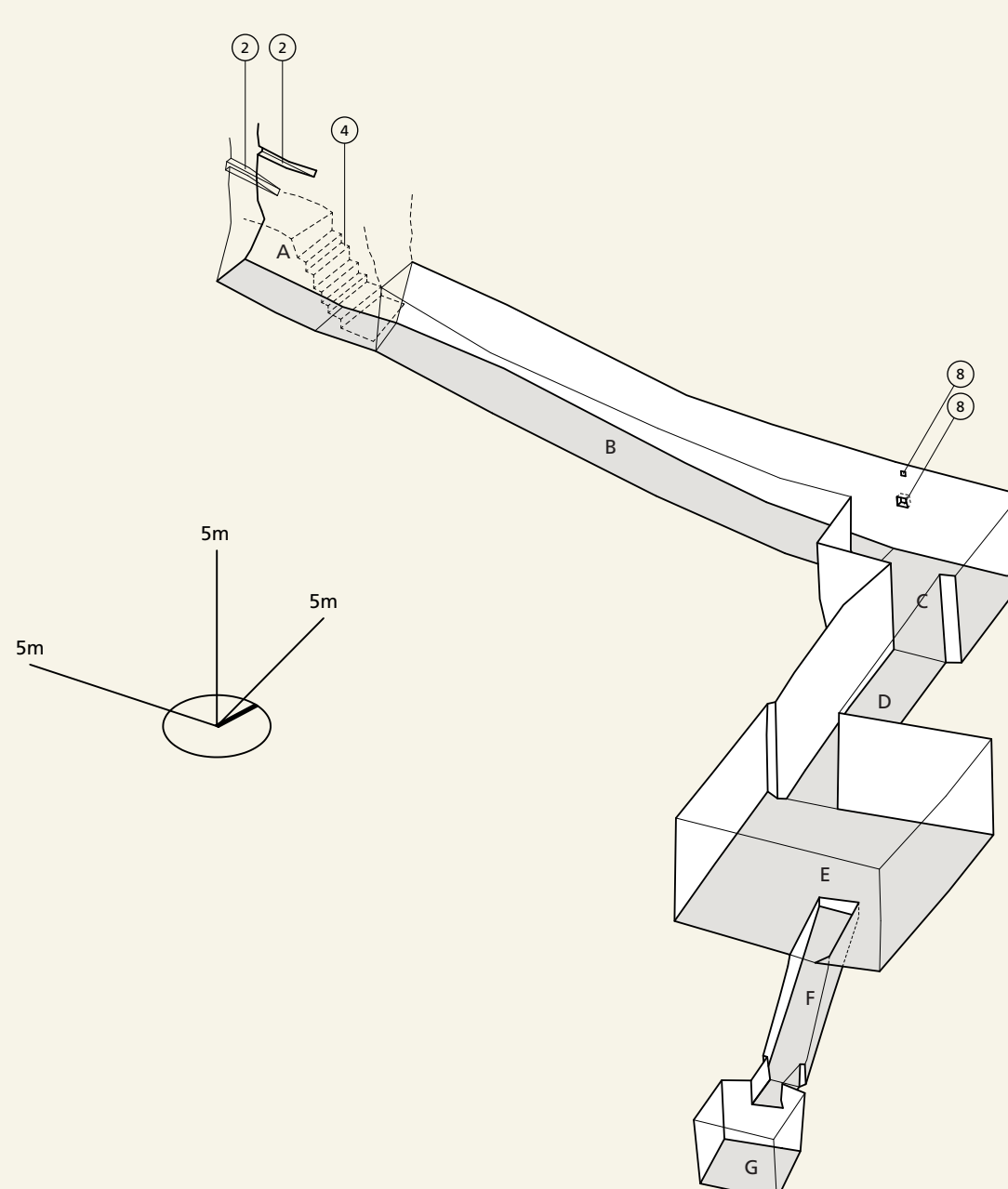
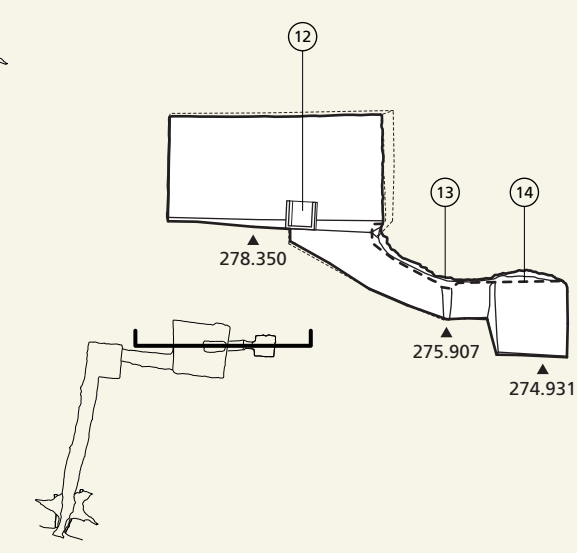
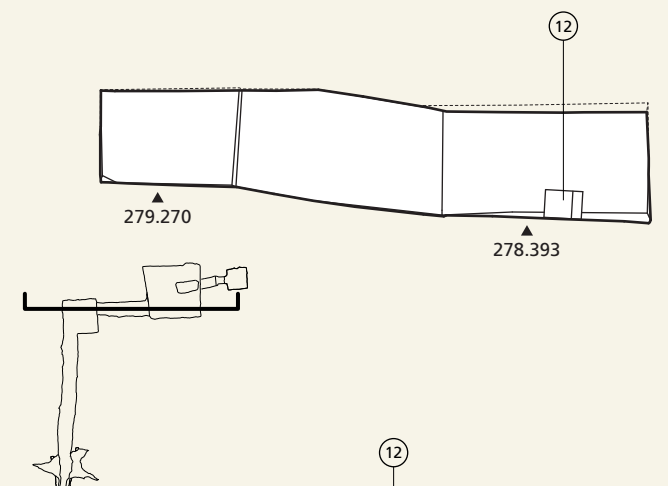
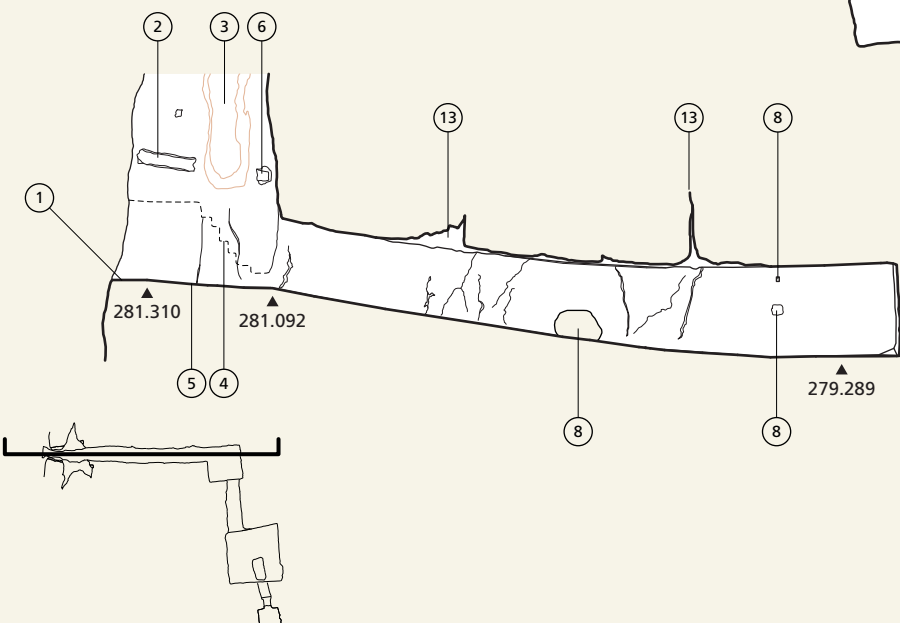


NOTES

1	Entrance to crevice in cliff.
2	Slot for wood beam cut in side wall of crevice by Baraize.
3	Fissure in side wall of crevice.
4	Location of original stairs.
5	Floor of passage cut by Baraize to remove sarcophagus.
6	Socket cut by Baraize for wood beam in rear wall of crevice.
7	Shape of original tomb entrance.
8	Boulder.
9	Socket likely cut by Baraize to aid in removing sarcophagus.
10	Collapsed area in floor.
11	Blocking stone and depression in floor, possibly cut by robbers.
12	Original location of sarcophagus and lid (after Carter).
13	Line of original ceiling.
14	Collapsed ceiling.



Note: NKRF survey places tomb entrance at approx.  
N 98,114.648  
E 92,885.008  
Elev 281.310



Plan and section details courtesy New Kingdom Research Foundation, surveyed by Mohamed Abd el-Basset and Ahmed Hassan. Floors in some chambers covered with rubble at time of NKRF survey.