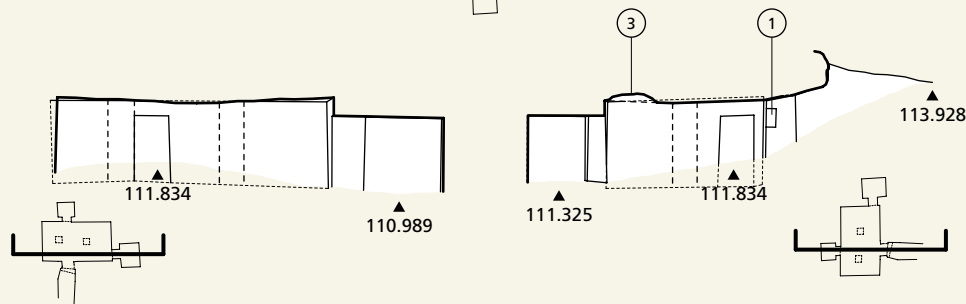
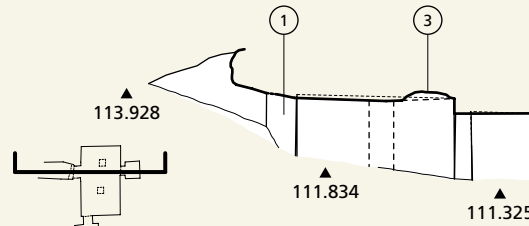
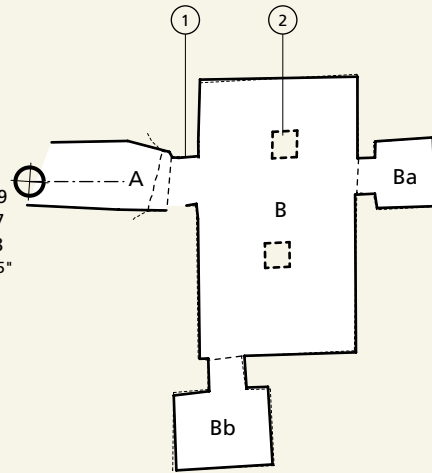
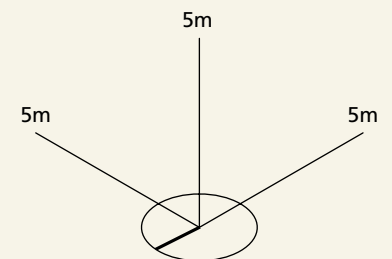
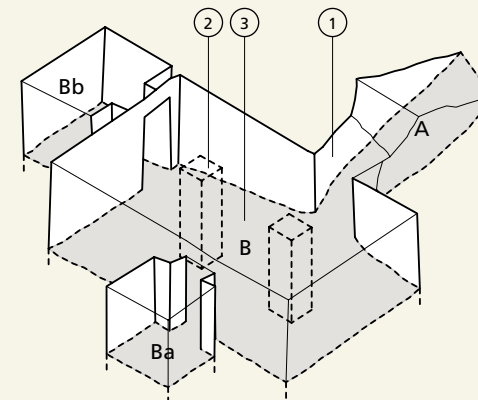
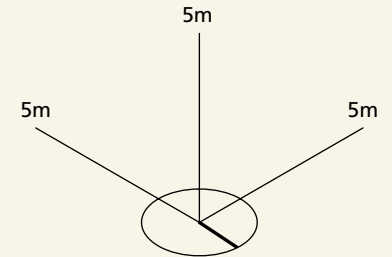
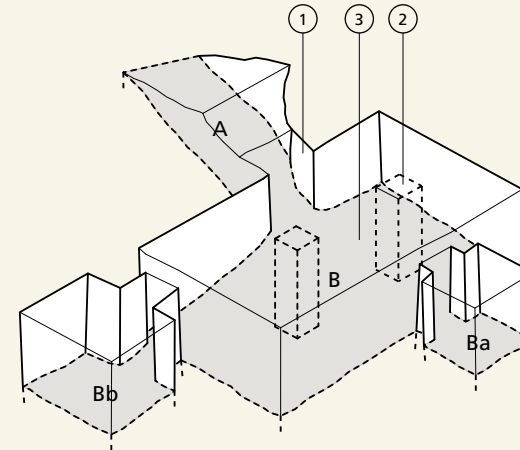


N 97,981.029  
E 93,957.137  
Elev 113.928  
Axis 356° 03' 15"



**NOTES**

- 1 Door jambs mostly reconstructed; portion of original right jamb preserved.
- 2 Traces in the ceiling of pillars built after chamber B was cut. Originally ceiling was painted black or dark blue; a white wash was applied after the pillars were built, and when they were subsequently destroyed two dark squares remained in the ceiling. Since the original survey, the floor has been cleared and the bases of the pillars were found, with a height of approx. 20 cm.
- 3 Ceiling damaged in rear half of chamber B; dimensions approximate.



Courtesy of the Getty  
Conservation Institute  
and the Ministry of  
Tourism and Antiquities.