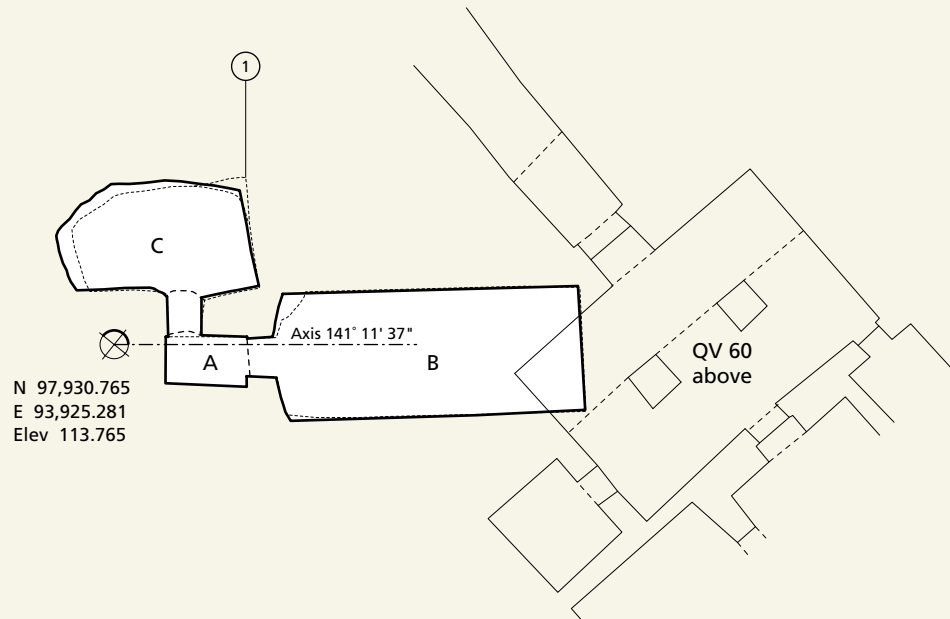
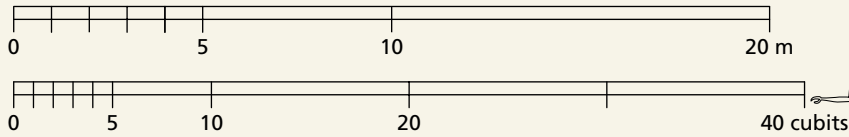
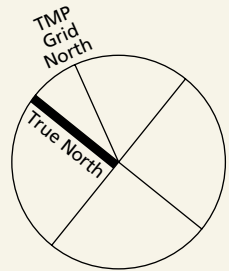
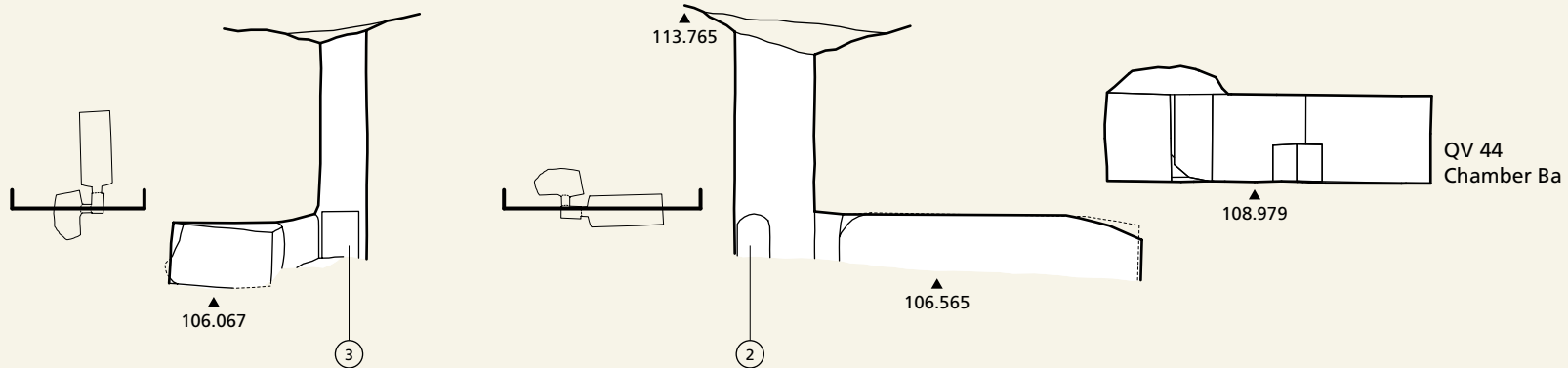


NOTES	
1	Corner bulges half-way down wall.
2	Doorway to chamber C.
3	Doorway to chamber B.



N 97,930.765
E 93,925.281
Elev 113.765



Courtesy of the Getty
Conservation Institute
and the Ministry of
Tourism and Antiquities.