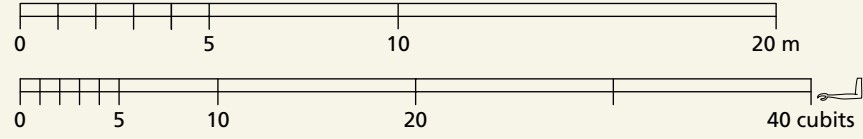
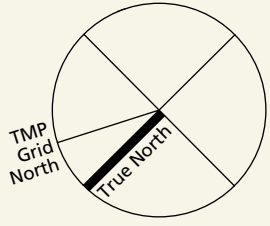
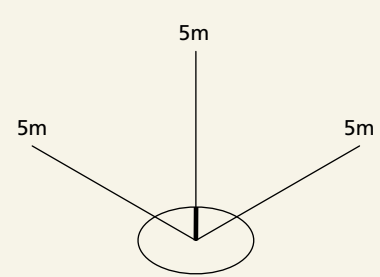
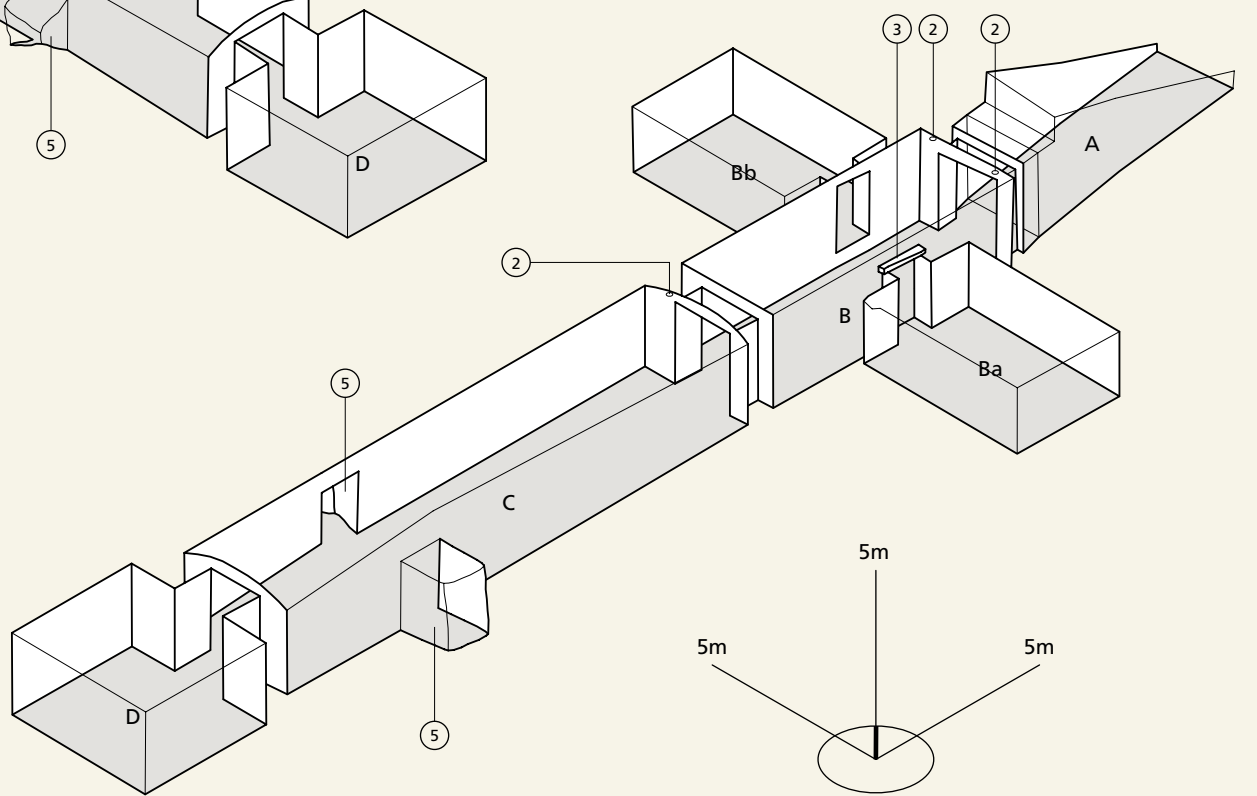
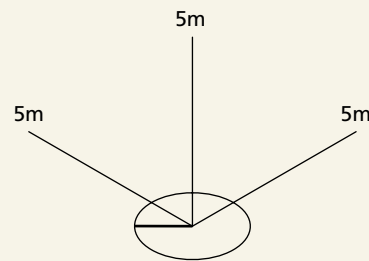
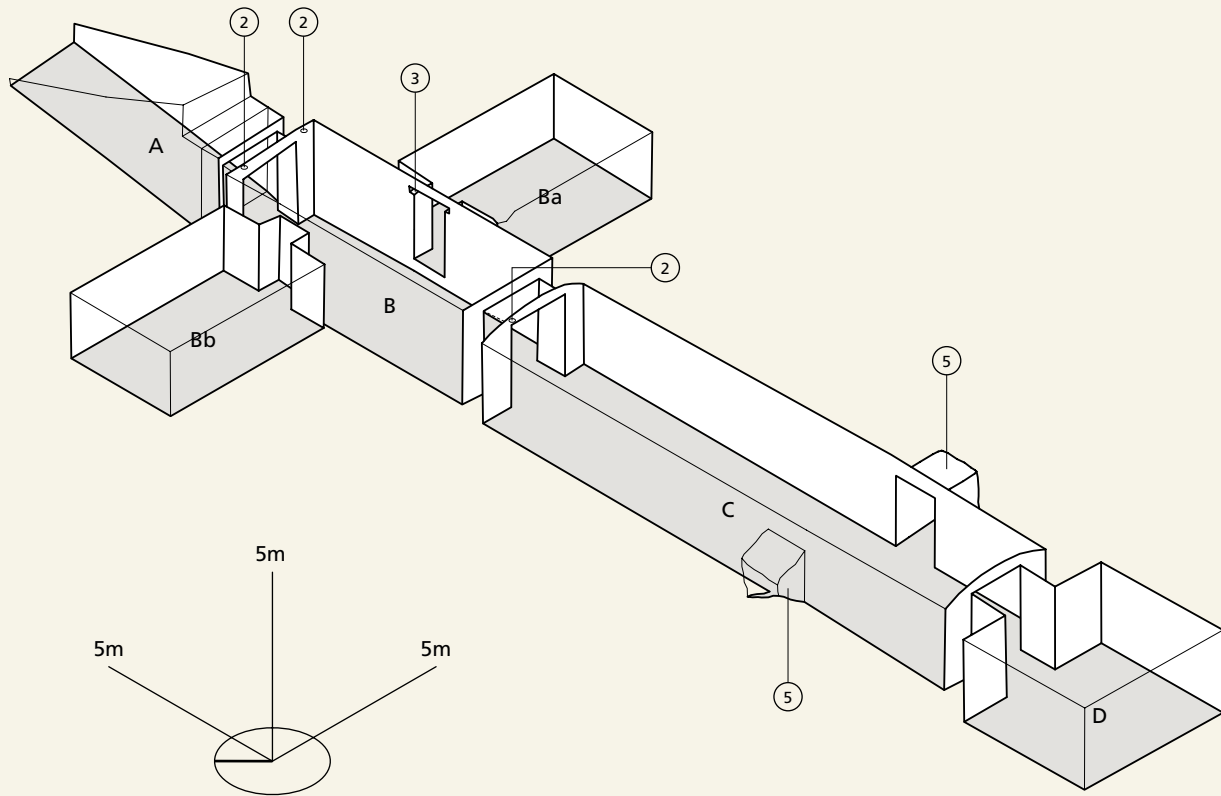
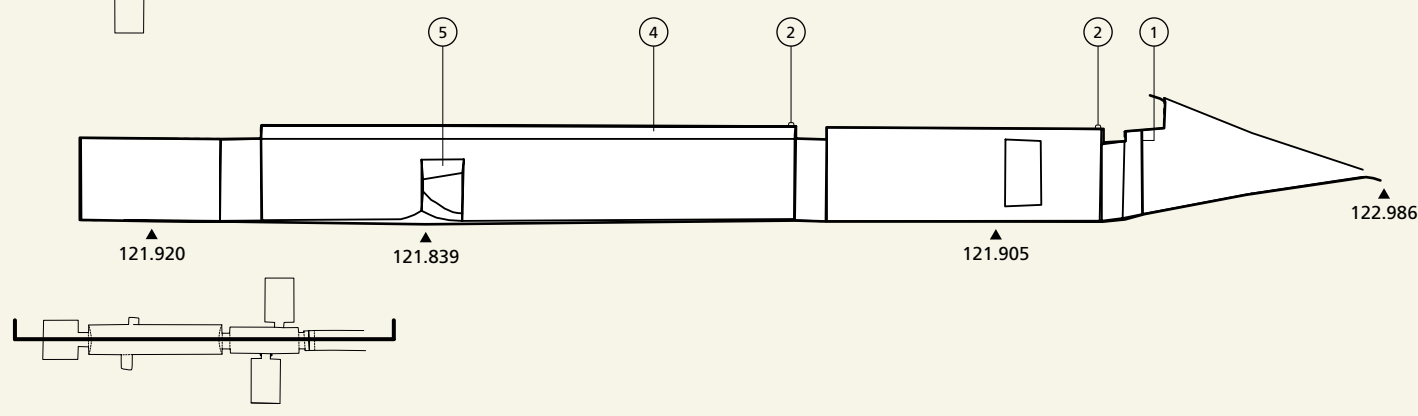
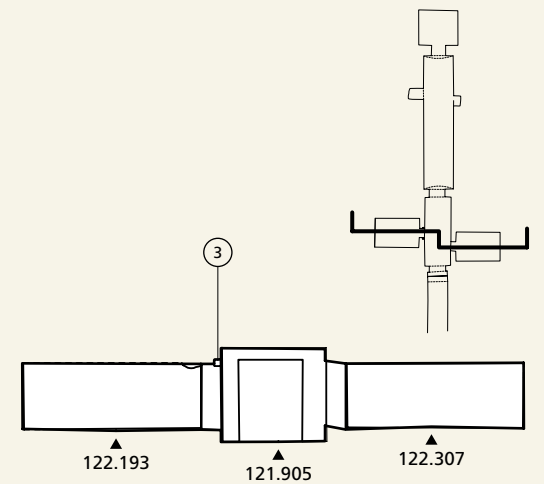
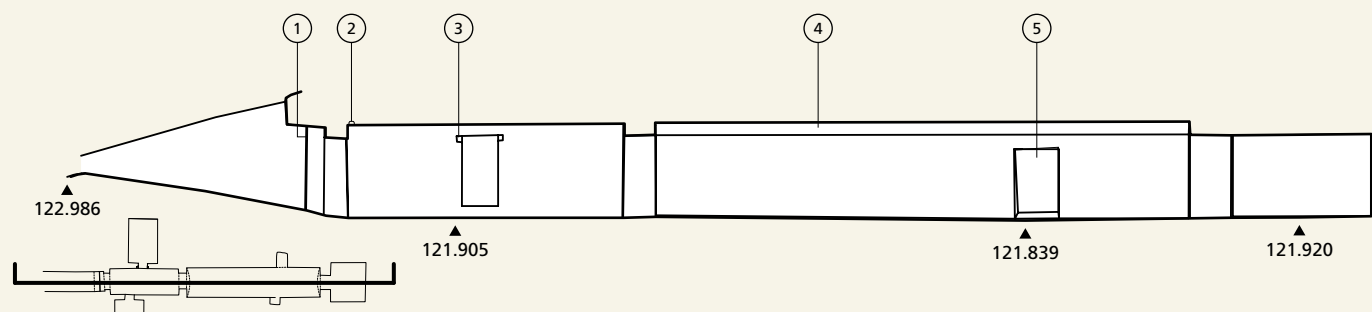
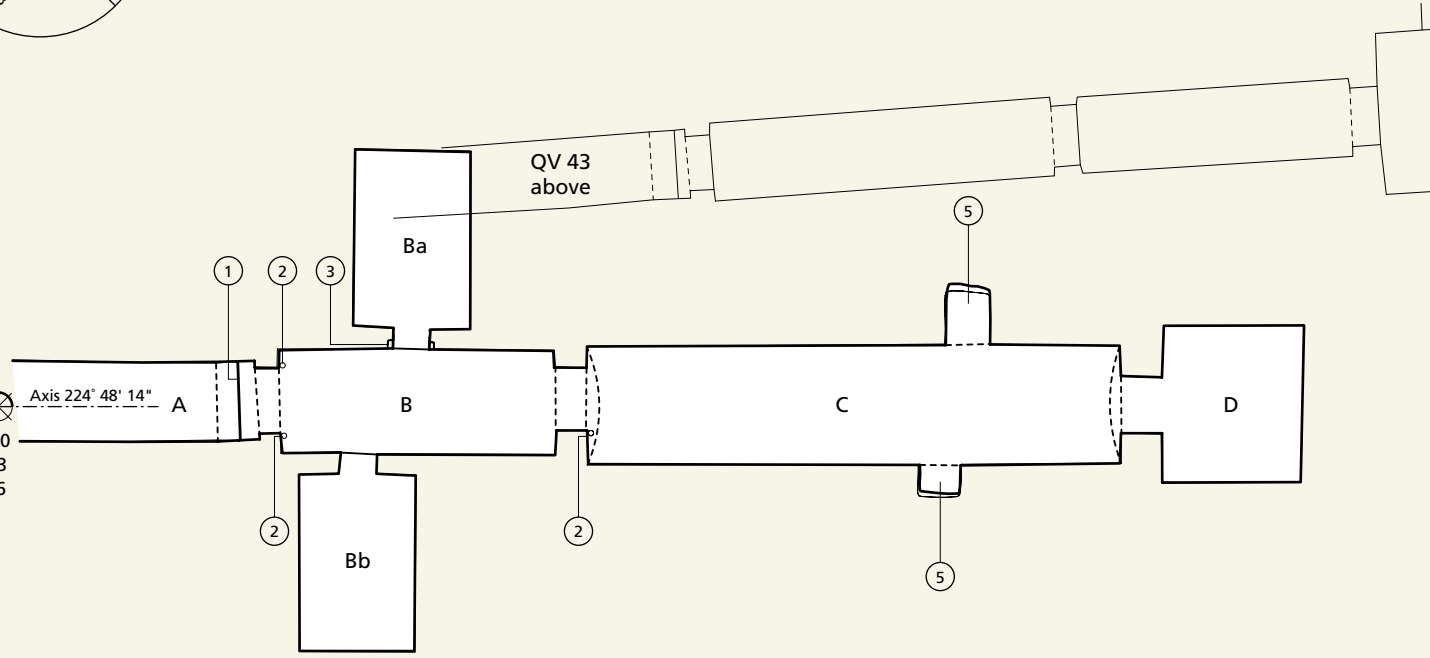


NOTES

1	Modern gate.
2	Post-hole in ceiling for original door.
3	Cut over doorway, presumably for wood lintel.
4	Vaulted ceiling.
5	Unfinished cutting of side-chamber.



N 97,838.880  
E 93,931.673  
Elev 122.986



Courtesy of the Getty Conservation Institute and the Ministry of Tourism and Antiquities.