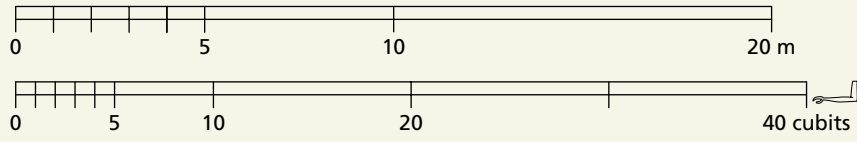
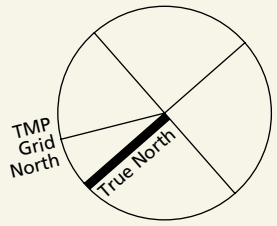
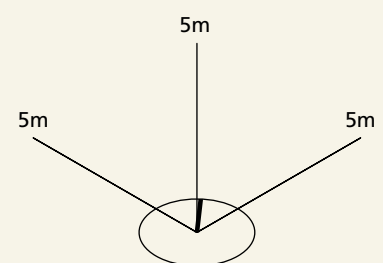
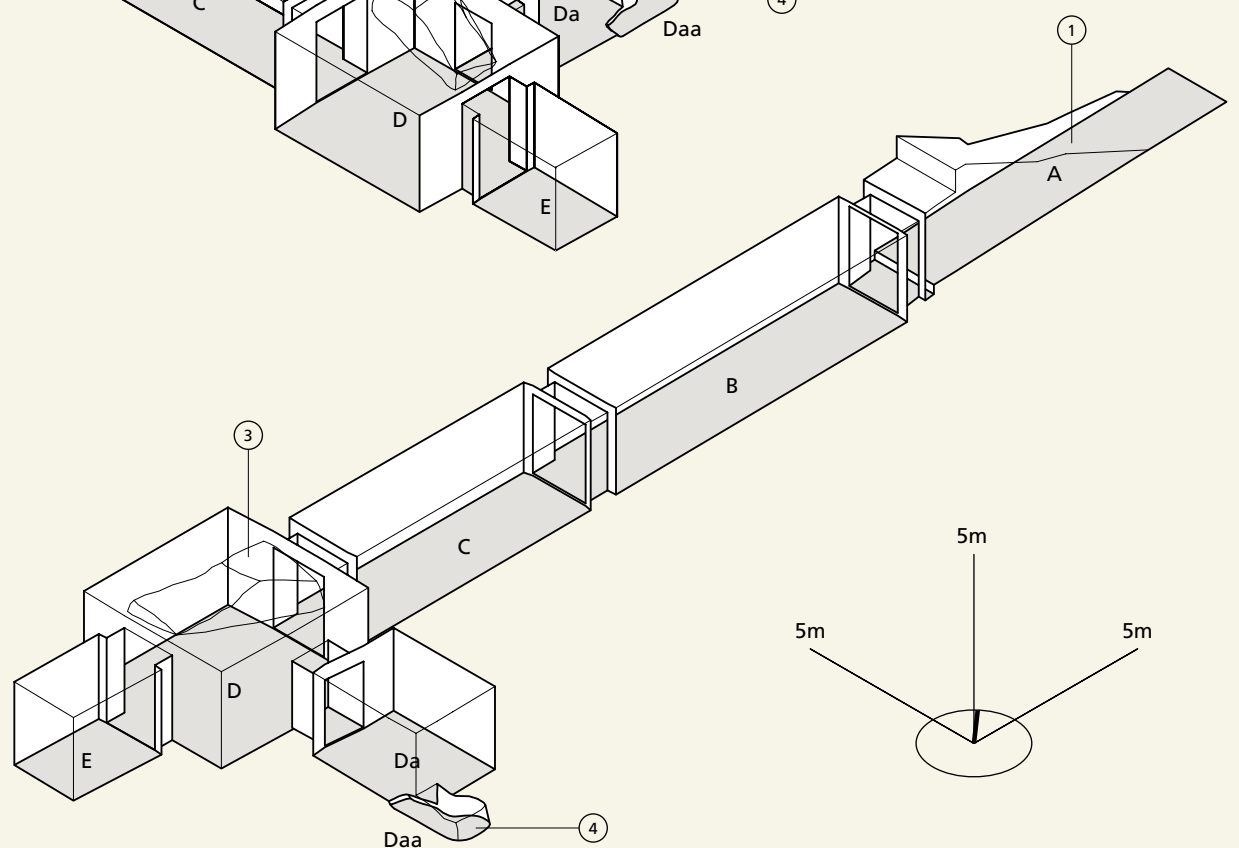
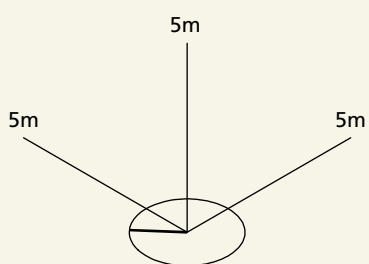
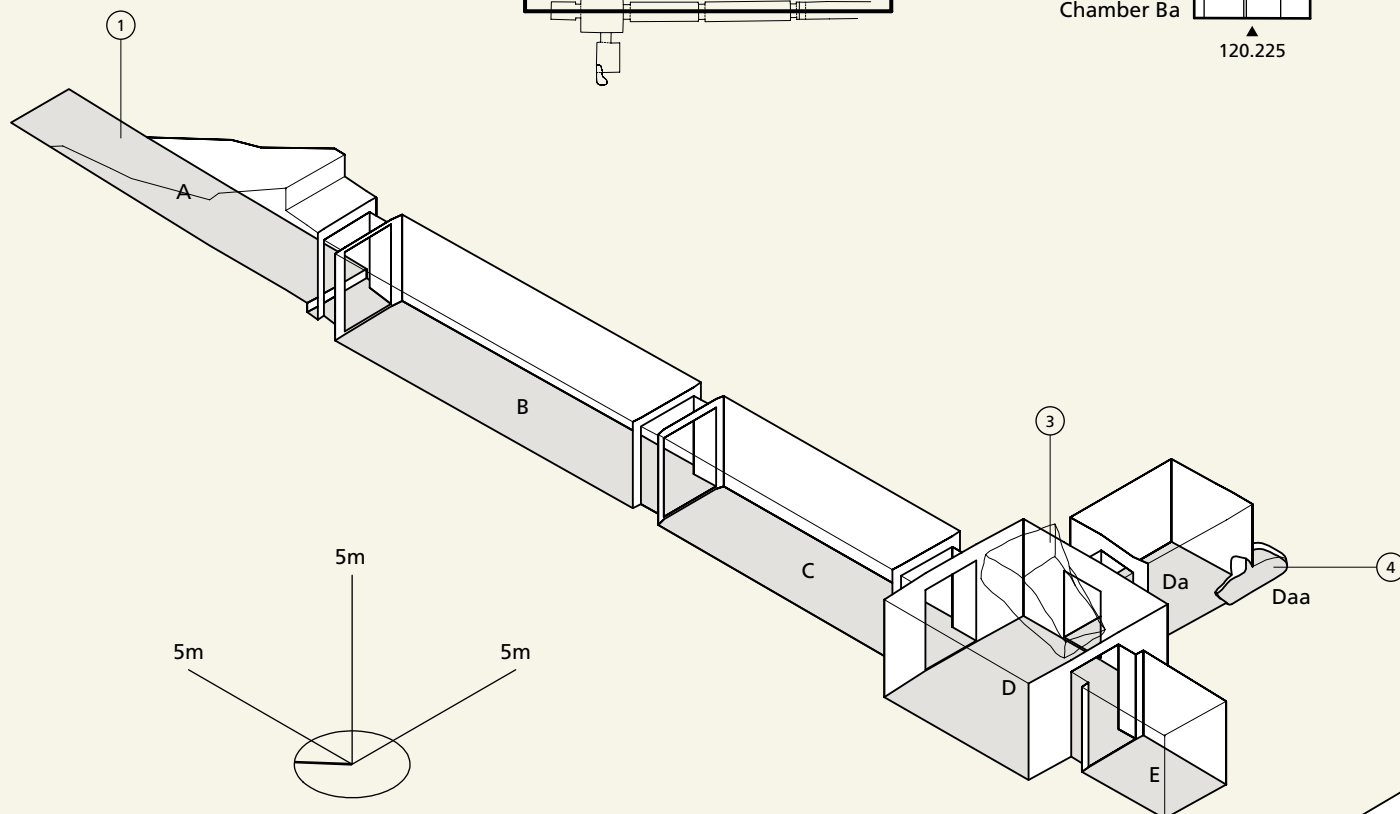
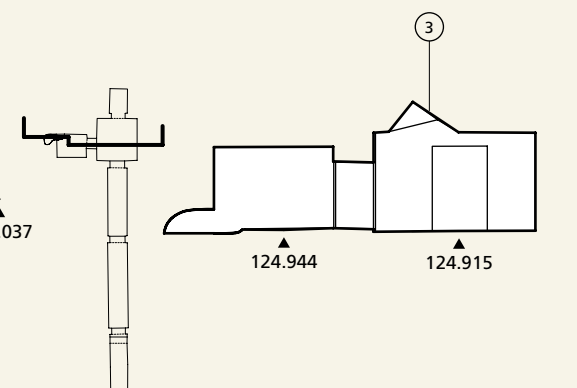
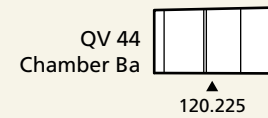
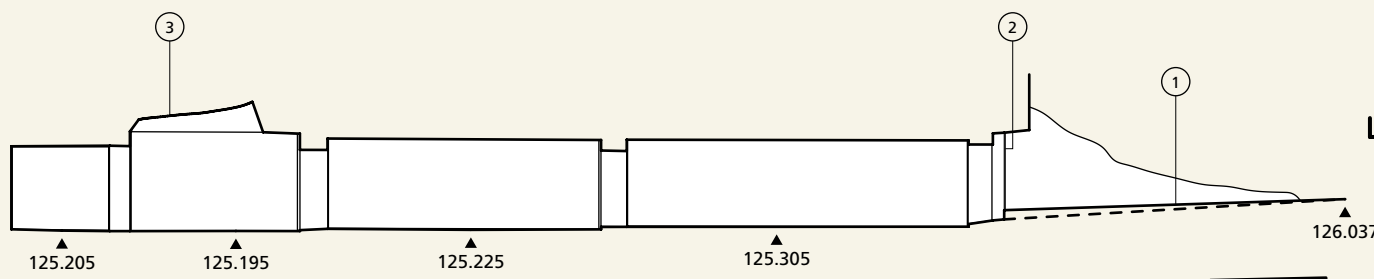
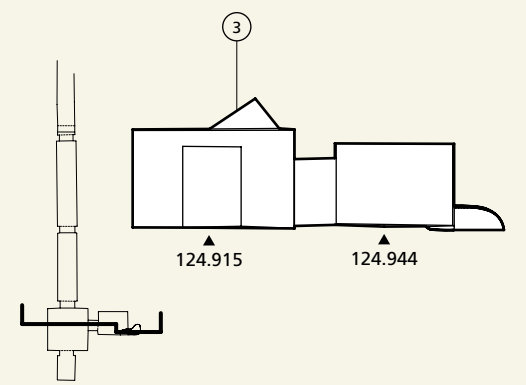
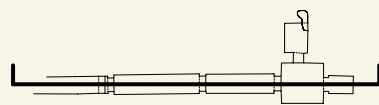
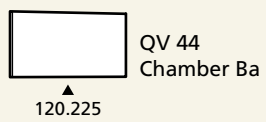
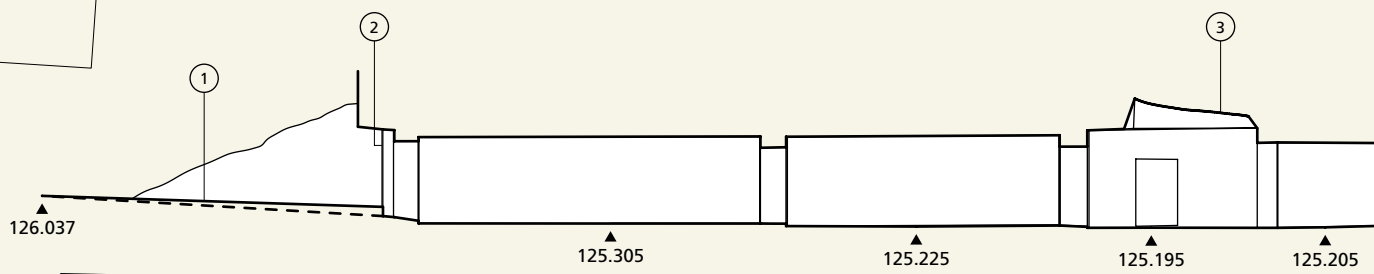
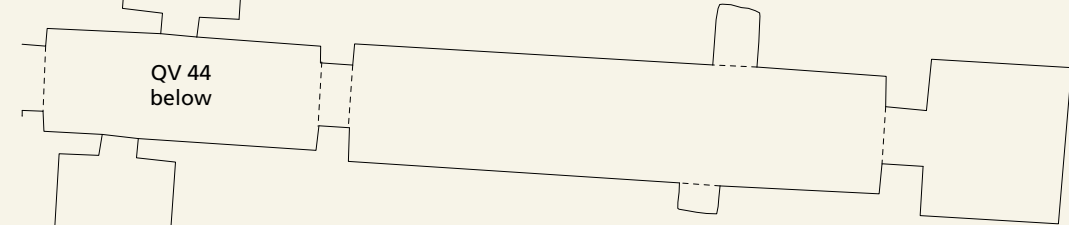
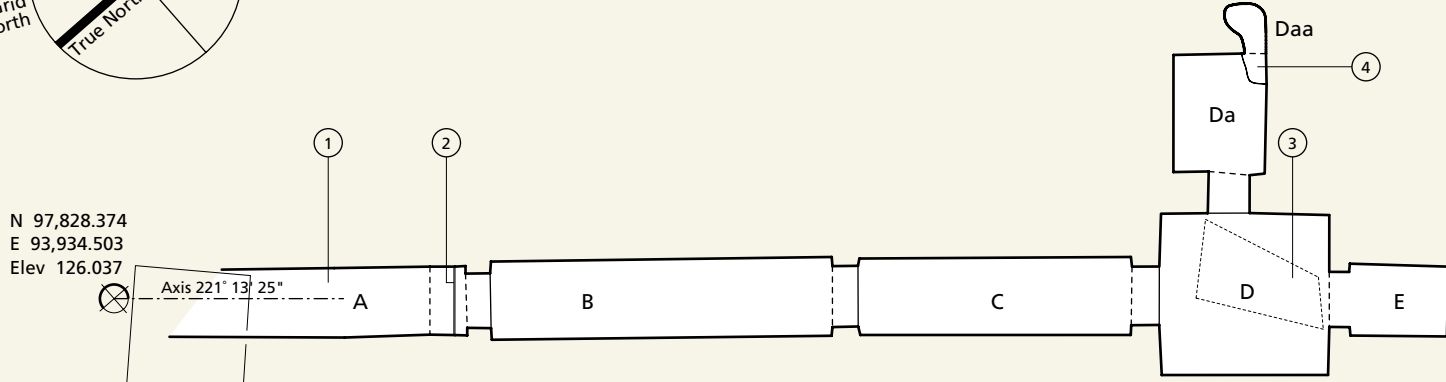


NOTES

1	Modern ramp; dimensions of original ramp below approximate.
2	Modern metal gate.
3	Ceiling collapsed and replastered in antiquity; blackened by smoke.
4	Shallow pit in floor of chamber Da.



N 97,828.374
E 93,934.503
Elev 126.037



Courtesy of the Getty Conservation Institute and the Ministry of Tourism and Antiquities.