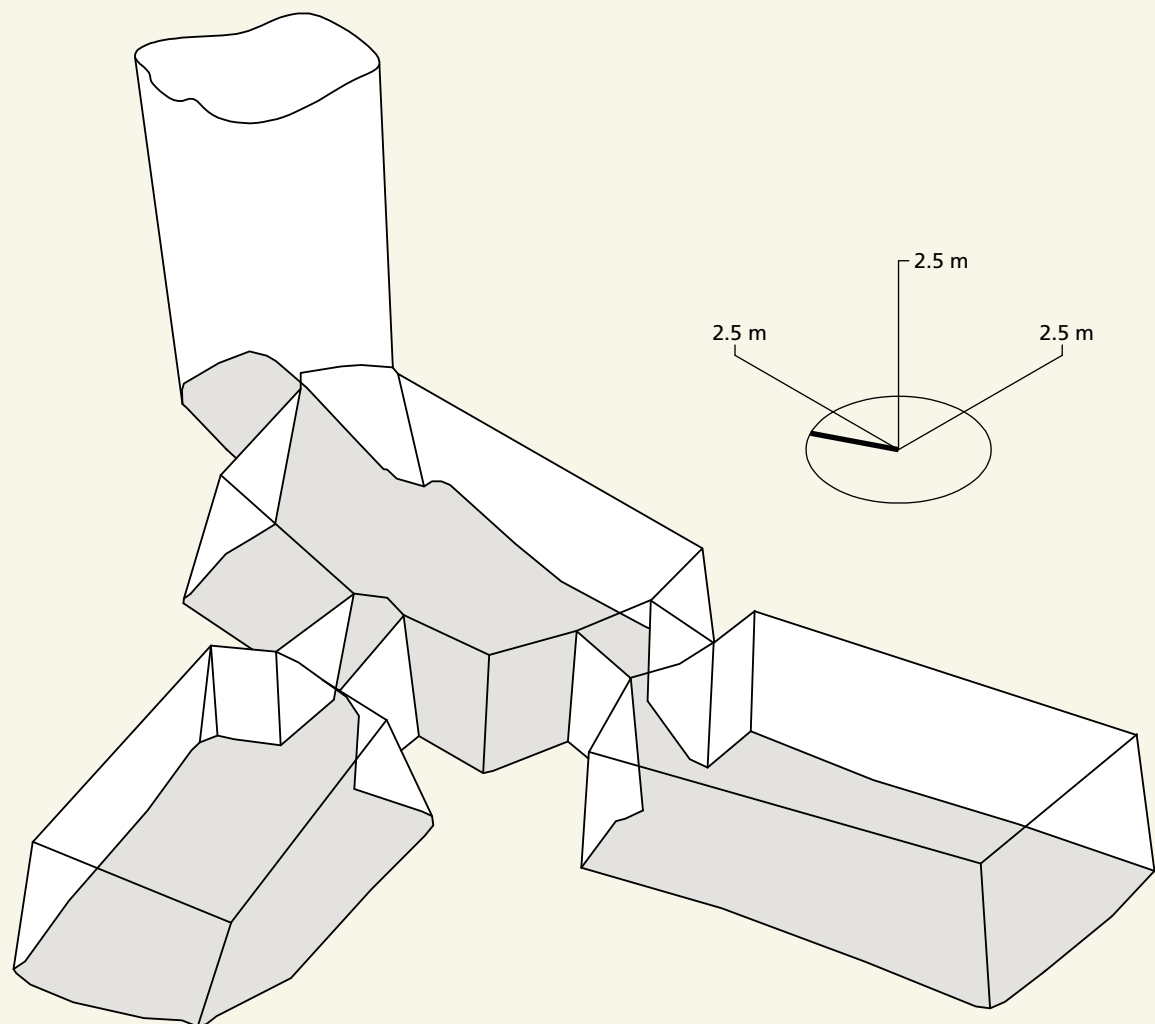
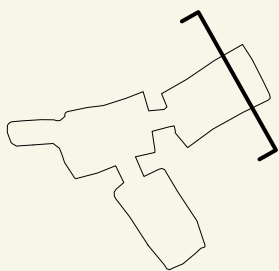
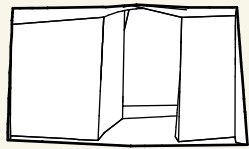
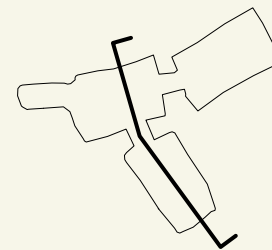
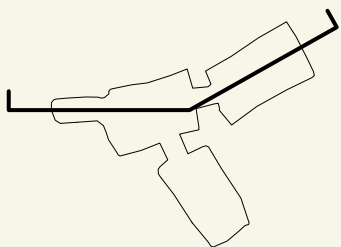
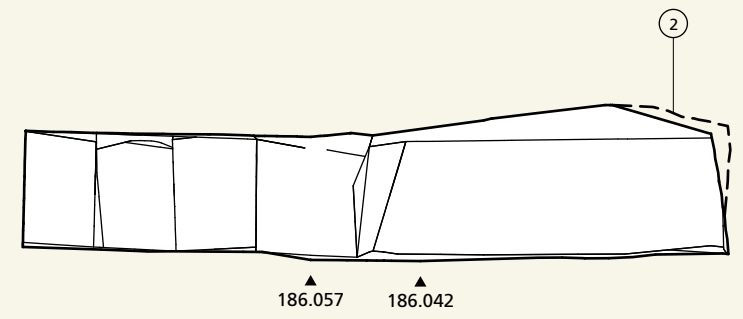
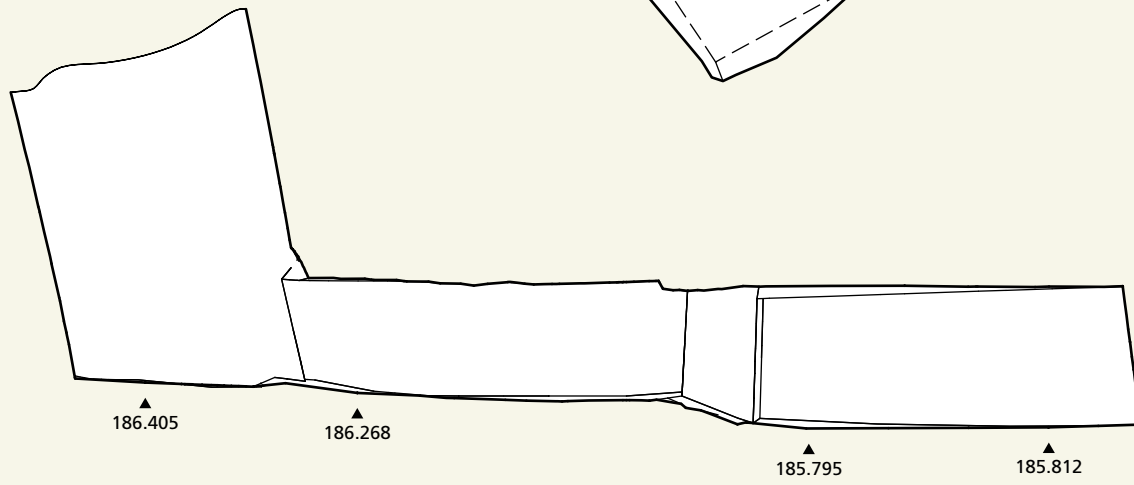
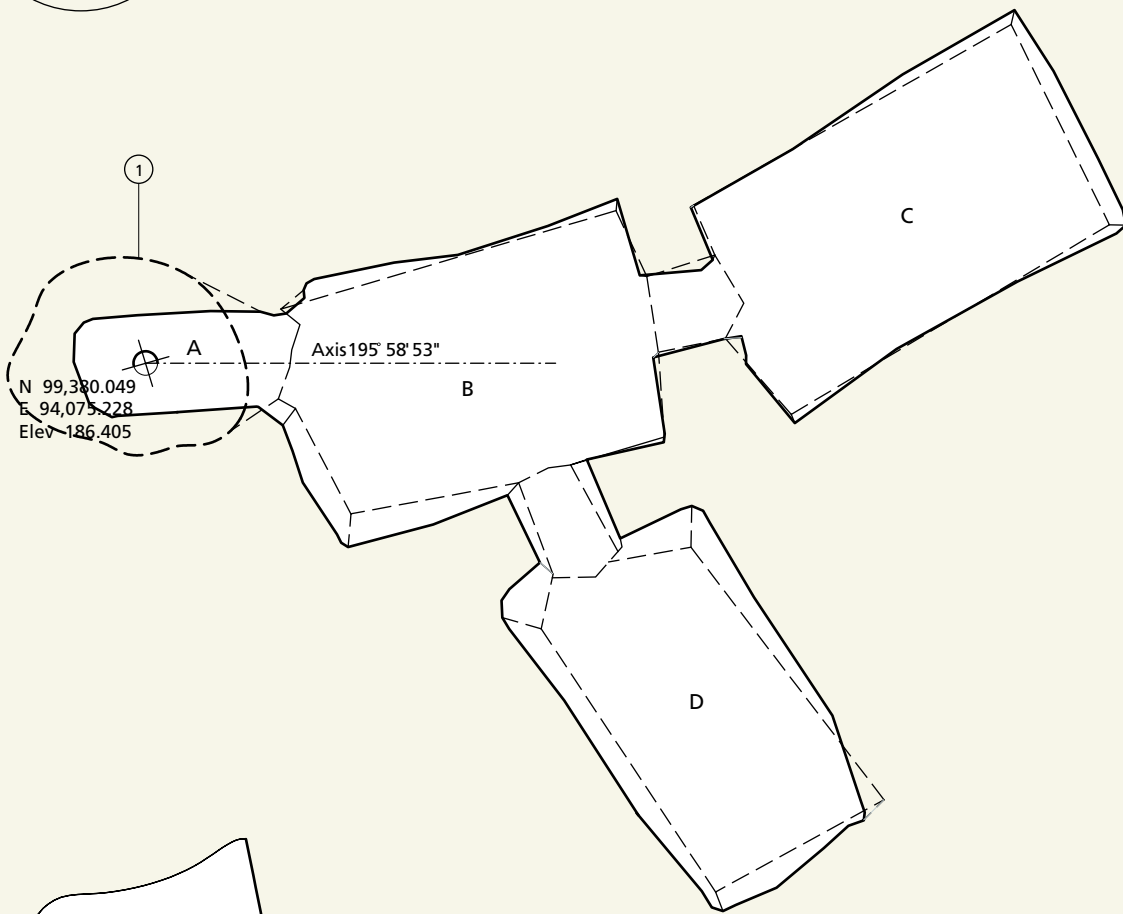
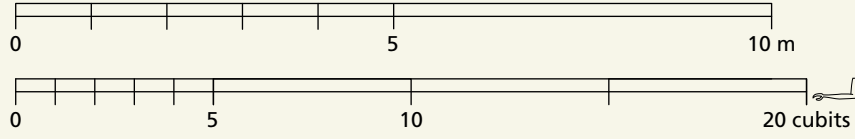
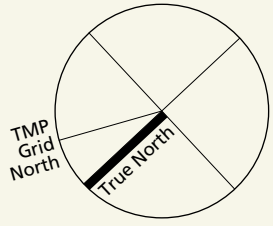


Courtesy University of Basel Kings' Valley Project
NOTE: Sheet is drawn at enlarged scale



NOTES

- | | |
|---|------------------|
| 1 | Top of pit edge. |
| 2 | Broken ceiling. |