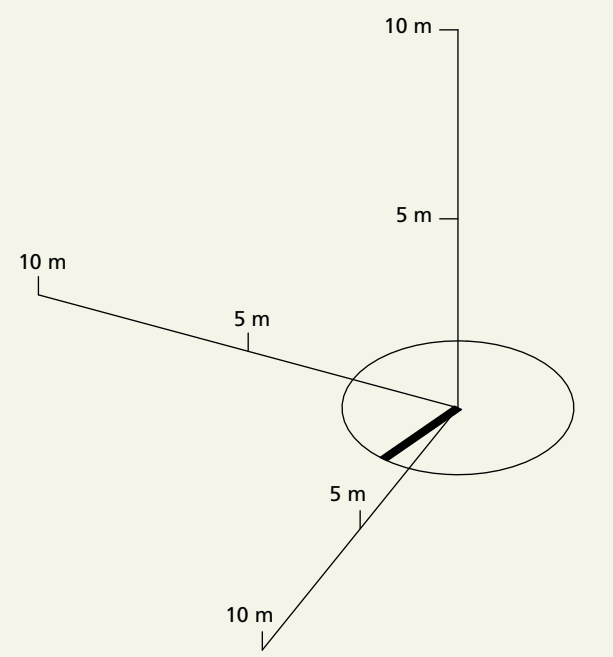
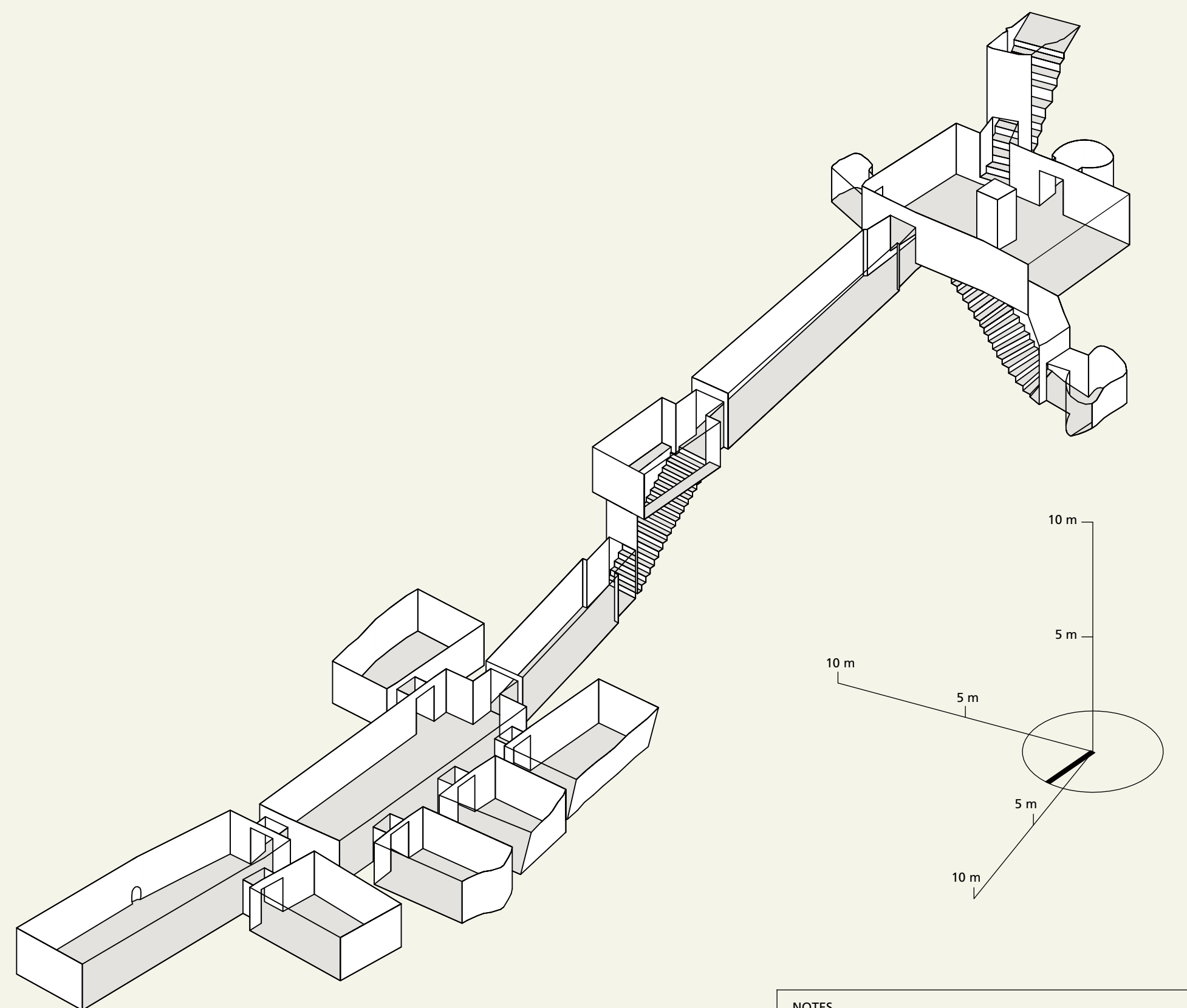
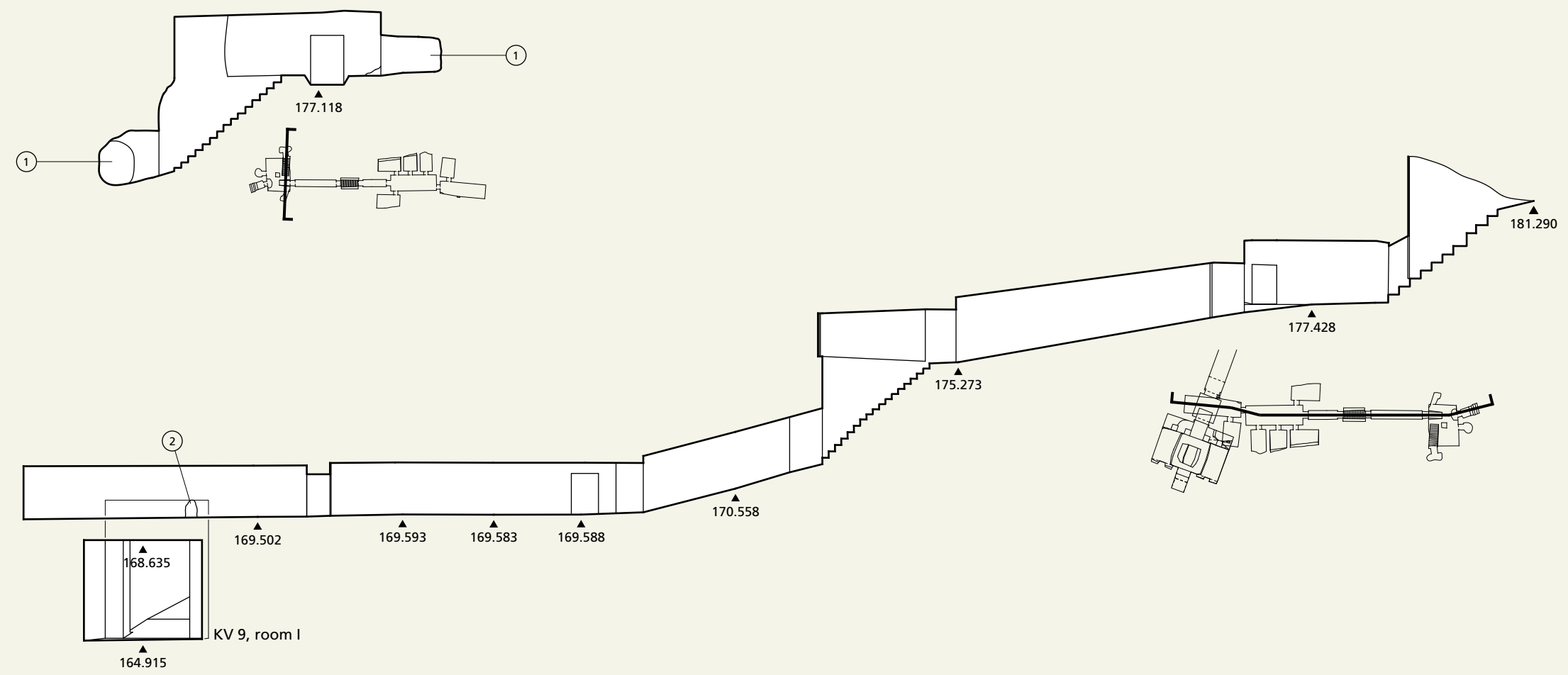
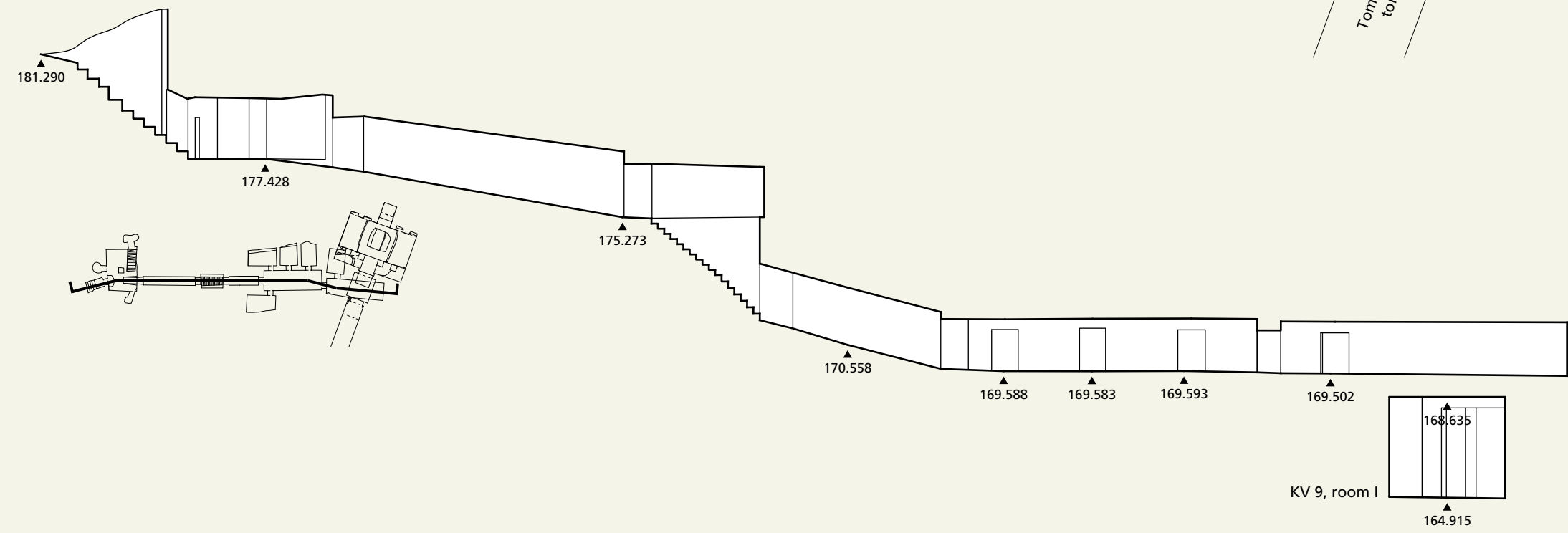
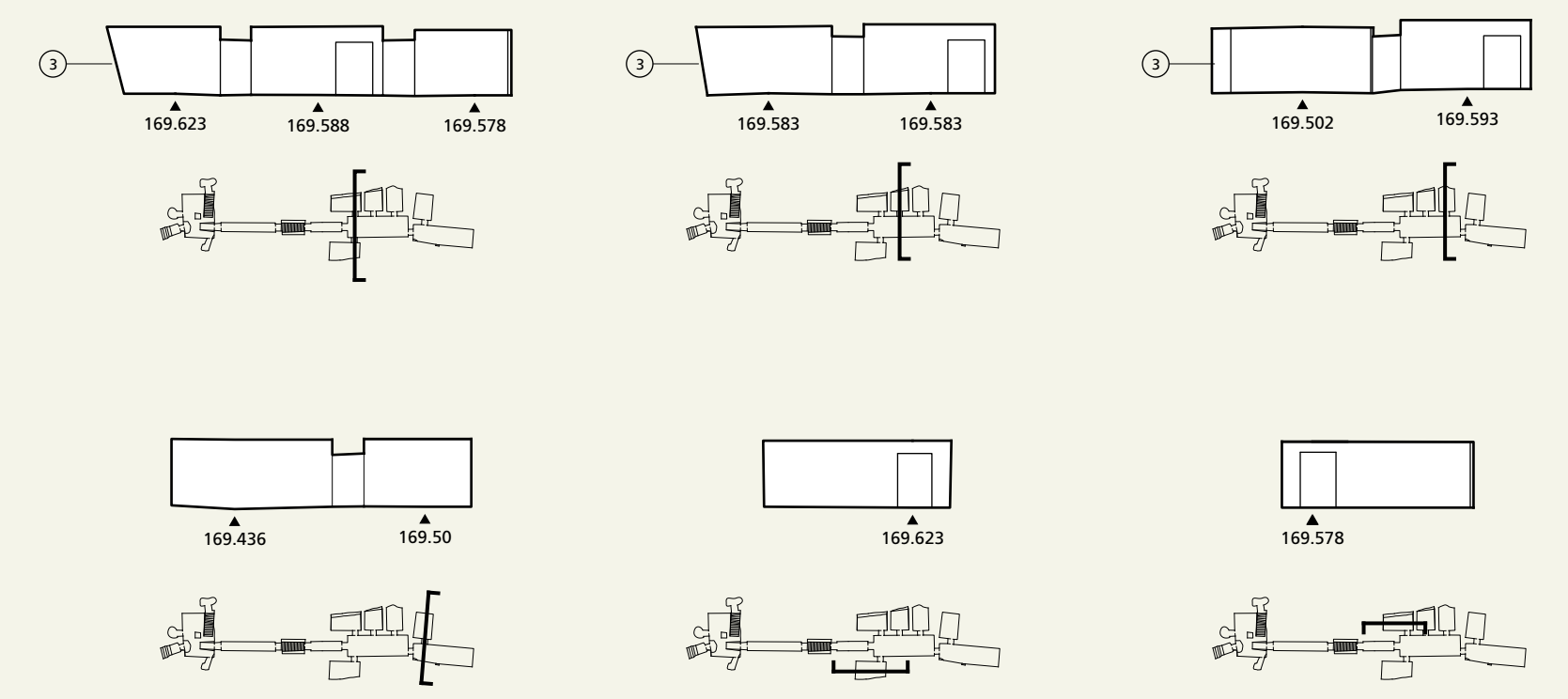


N 99,511.228  
E 93,994.237  
Elev 181.290



| NOTES |   |
|-------|---|
| 1     | Unfinished cutting of room.   |
| 2     | Hole in bottom of the wall where the cutting of room H in KV 9 broke through.                                 |
| 3     | Sloping vein of hardened calcite deposits that impeded cutting of the room.                                   |
| 4     | Outline of uncut doorway drawn on wall in black paint.  |
| 5     | Room contains outlines of uncut doorways drawn on walls in black paint, but their locations are undetermined. |