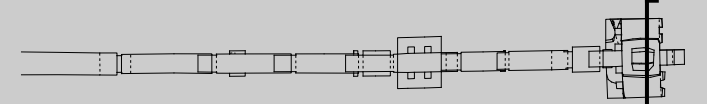
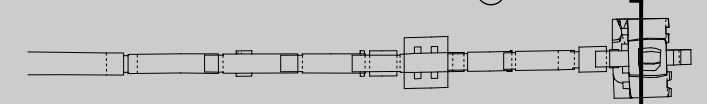
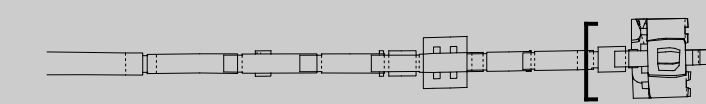
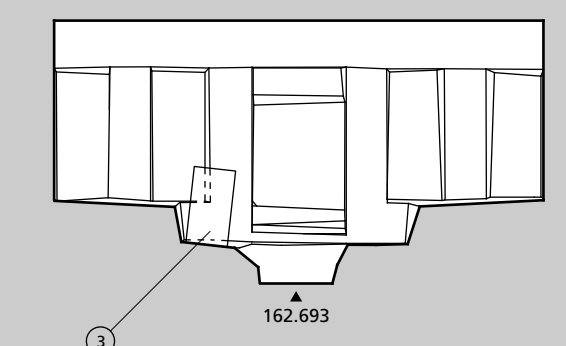
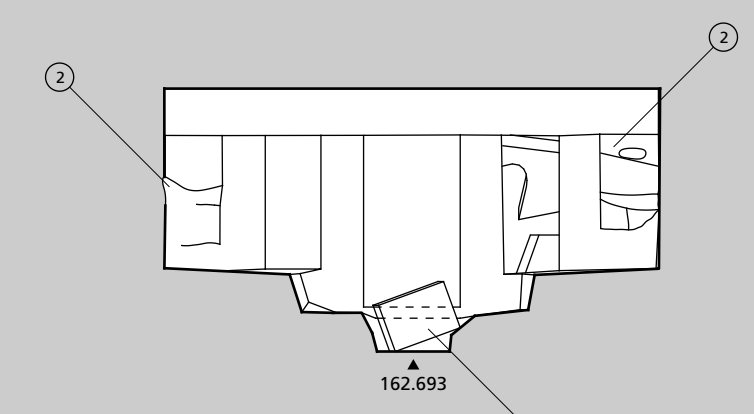
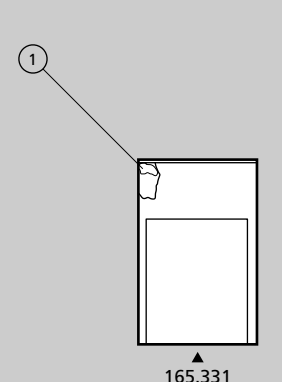
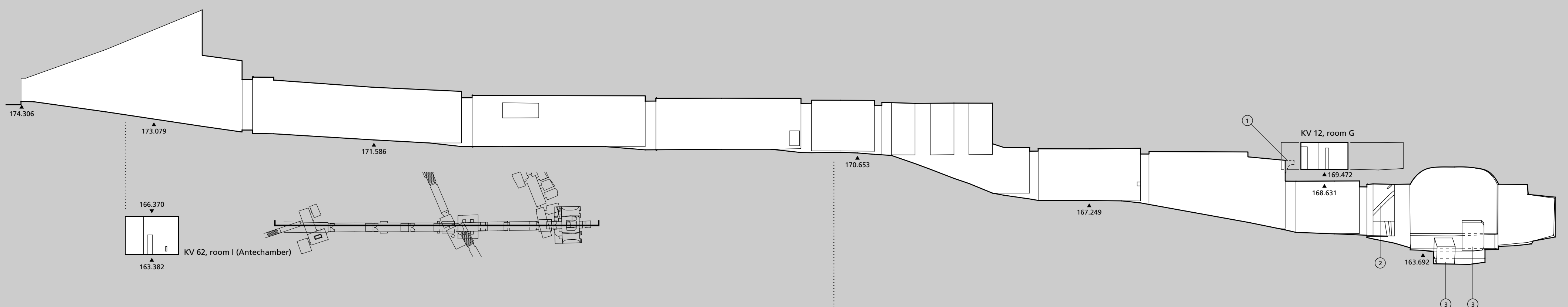
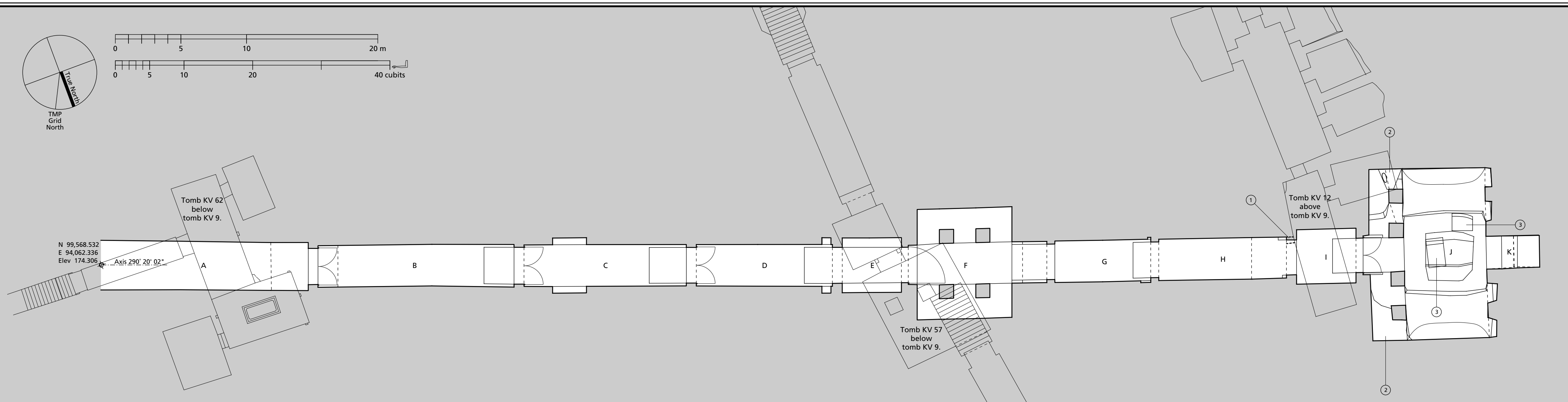
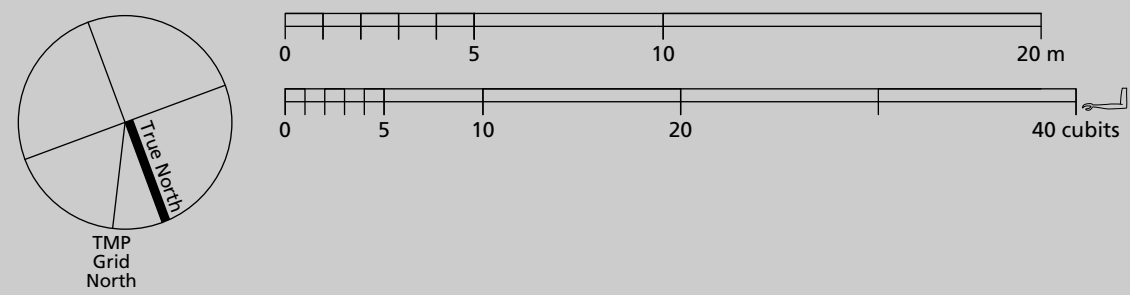


# KV 9 - Rameses V/VI, Dyn. XX

Plan, sections



NOTES	
1	Hole in the upper left corner of the lintel where the tomb cutting broke into Room G of KV 12.
2	Sloping vein of hardened calcite deposits that impeded cutting of the room.
3	Remains of the red granite outer sarcophagus box abandoned after attempted quarrying for re-use.

