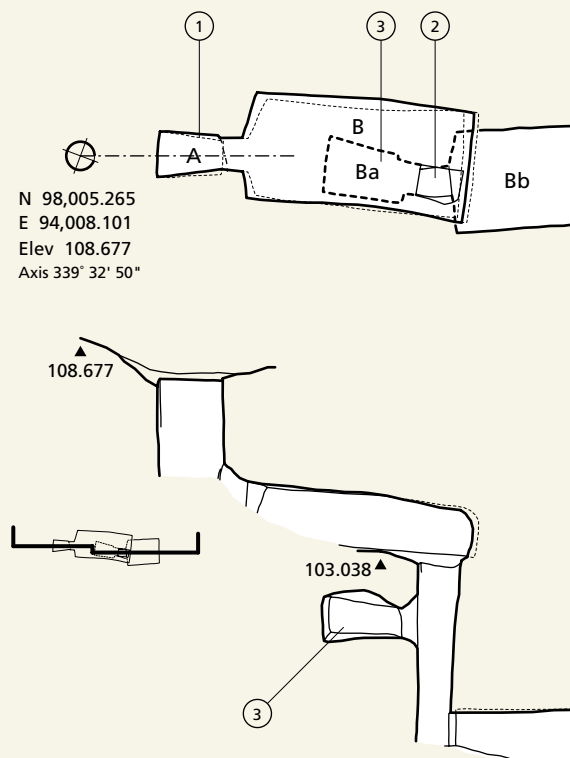


NOTES	
1	Top of pit.
2	Pit in floor of chamber B.
3	Pit chamber Ba halfway down pit shaft; dimensions approximate.



Courtesy of the Getty
Conservation Institute
and the Ministry of
Tourism and Antiquities.