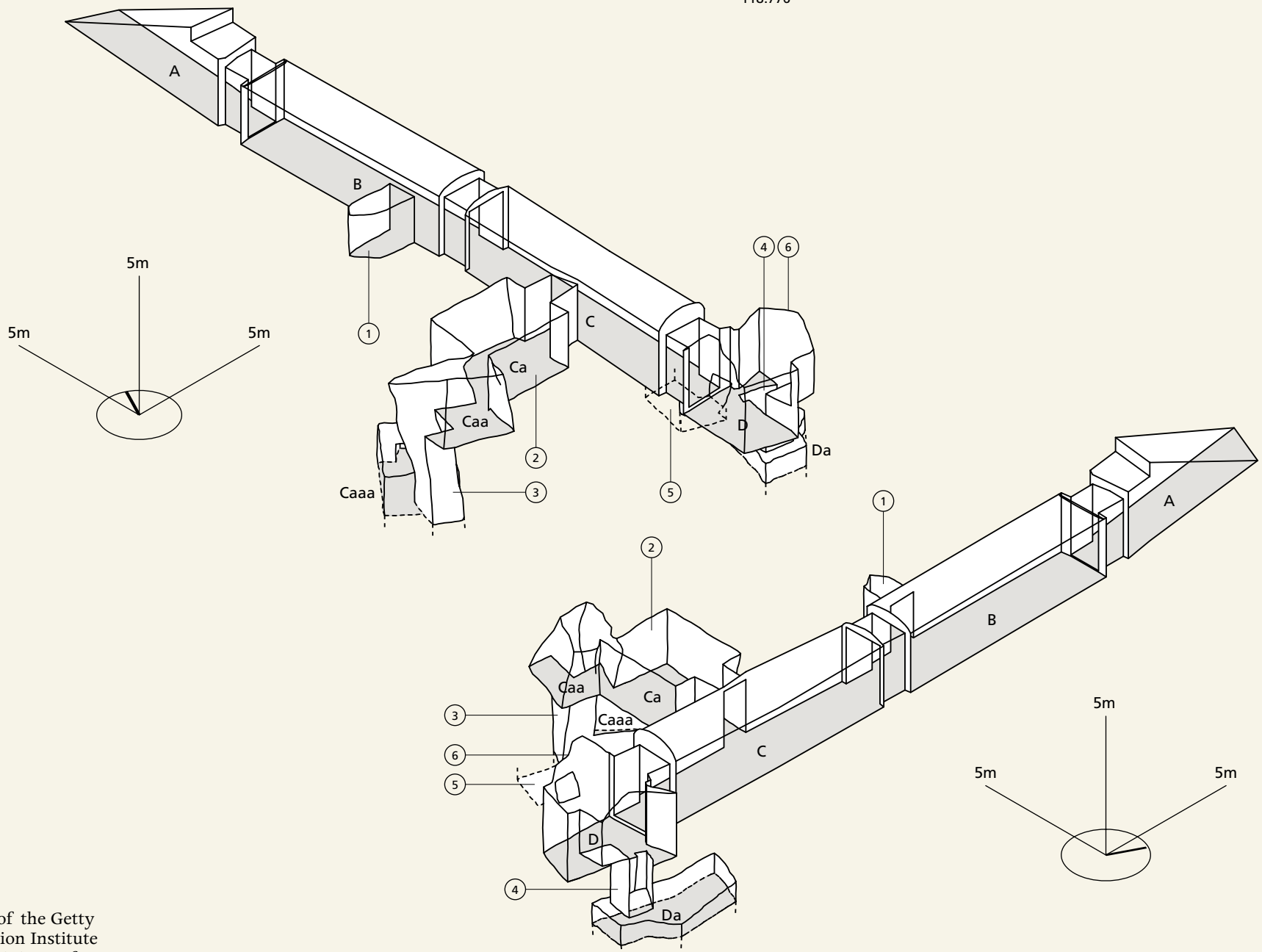
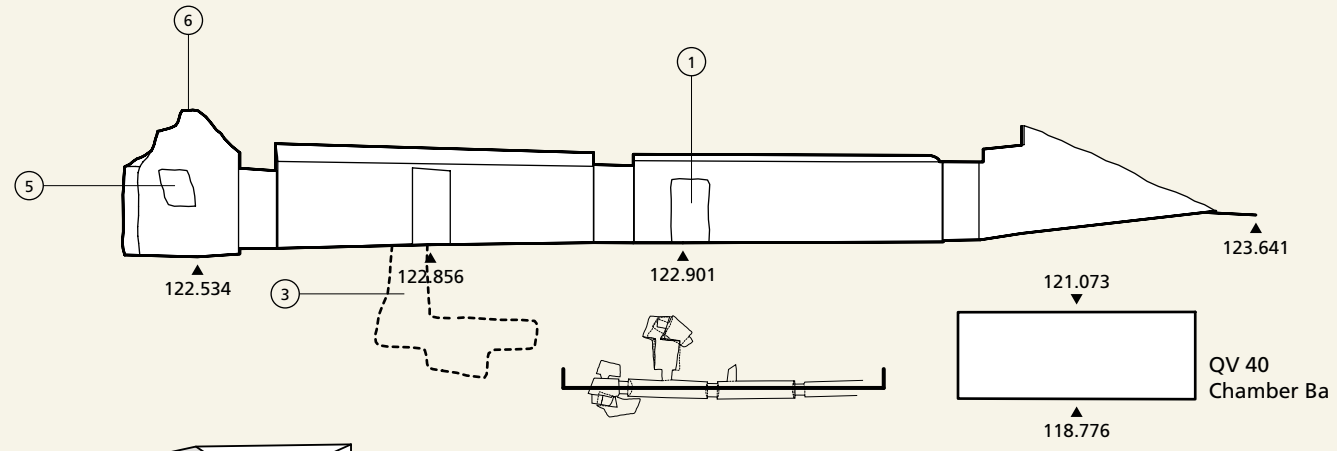
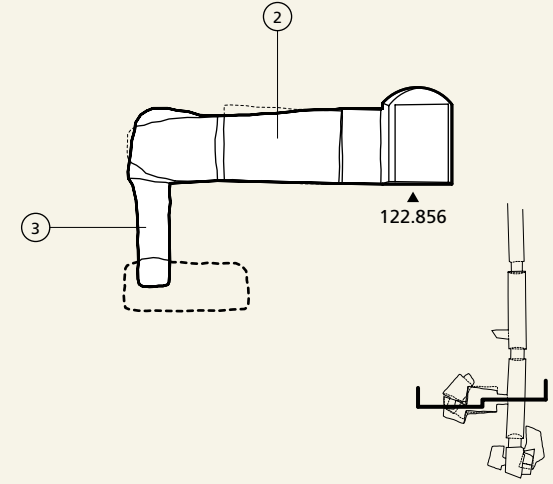
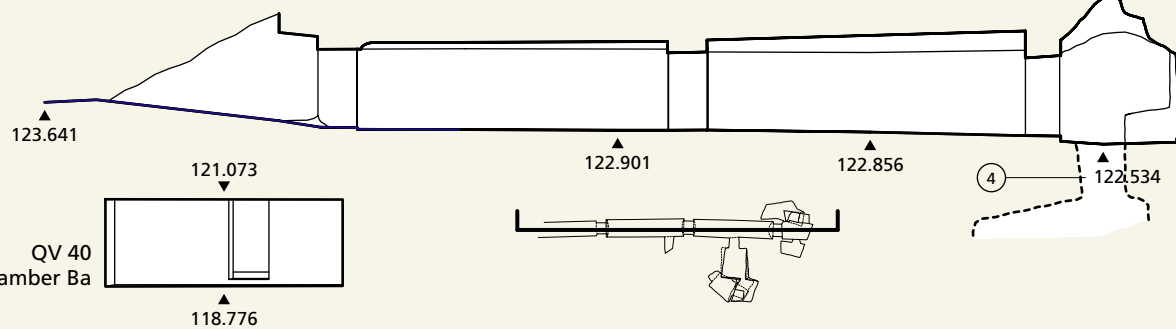
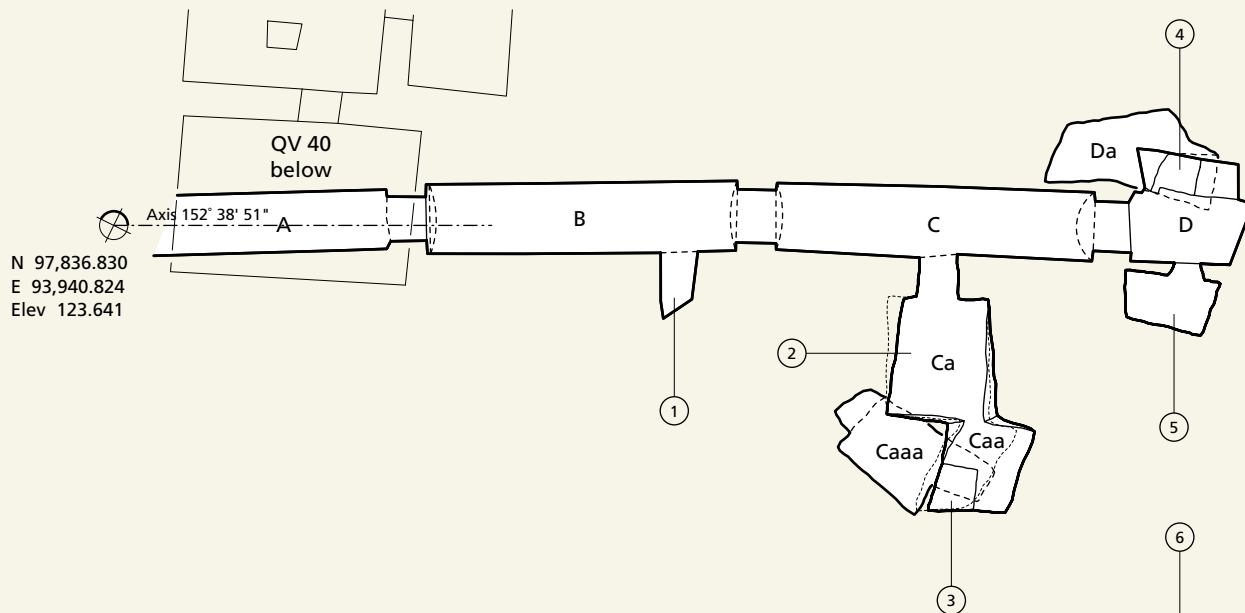


NOTES	
1	Unfinished side-chamber, very roughly cut; appears to have been cut later than original tomb.
2	Dimensions in chambers Ca, Caa, and Caaa are approximate.
3	Pit to Caaa. Chambers Caa and Caaa appear to have been cut later than original tomb.
4	Pit to Da; dimensions are approximate. Floor of Da unexcavated.
5	Roughly-cut niche; dimensions are approximate.
6	Ceiling very irregular.



Courtesy of the Getty Conservation Institute and the Ministry of Tourism and Antiquities.