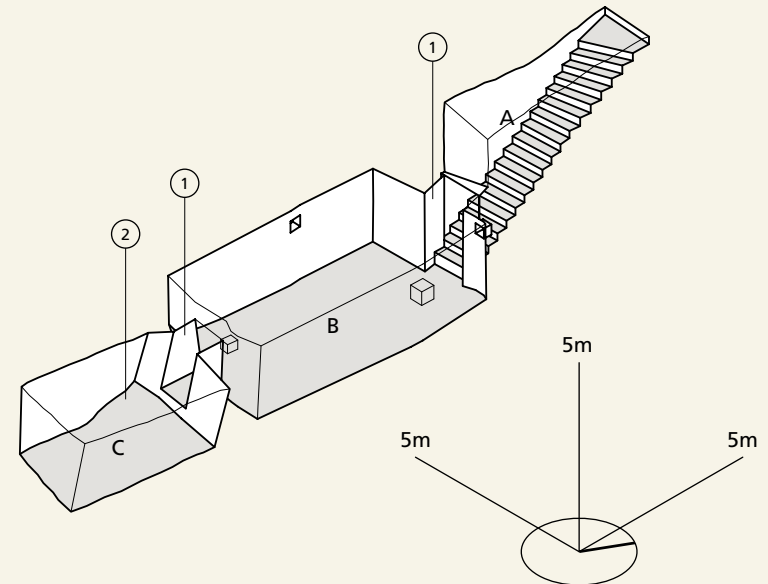
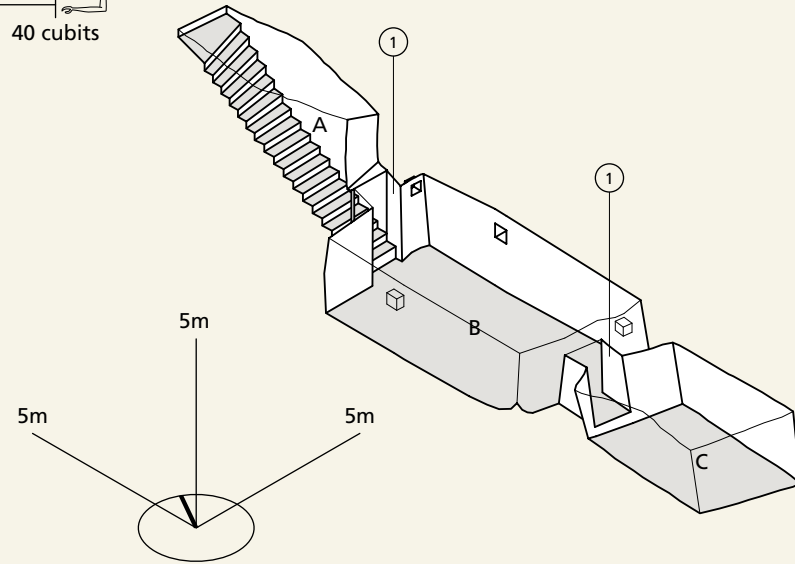
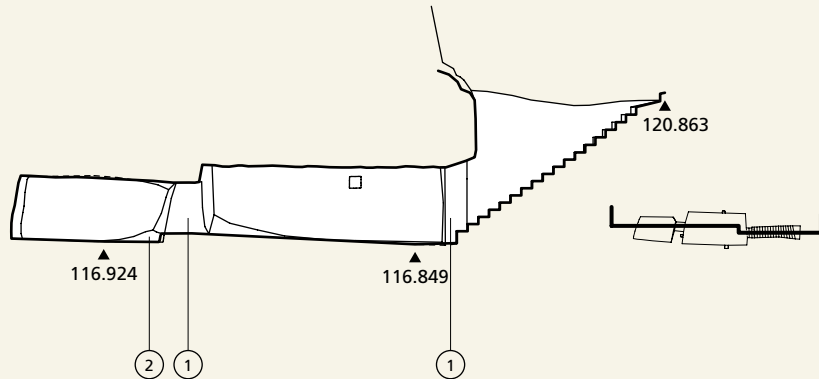
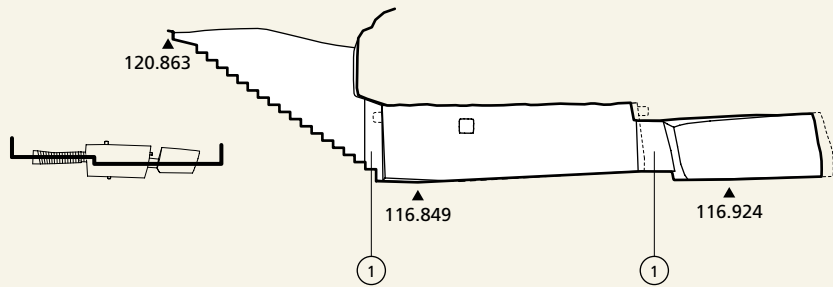
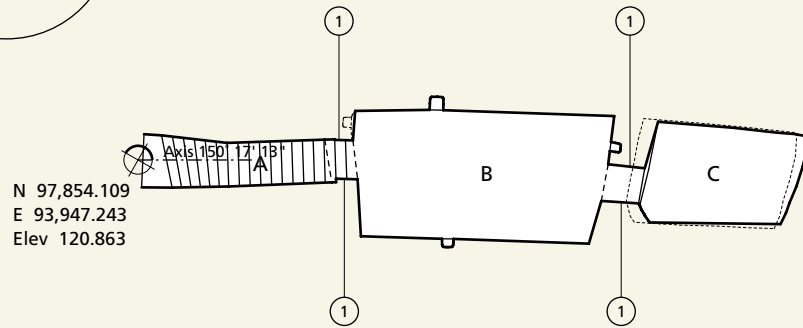
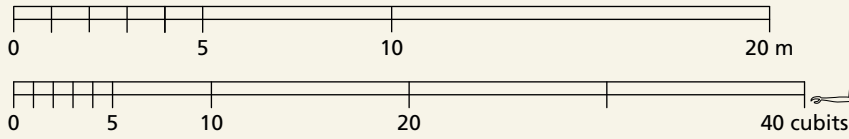
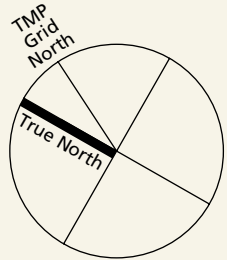


NOTES

- | | |
|---|-----------------------------|
| 1 | Modern concrete jambs. |
| 2 | Rubble at corner of room B. |



Courtesy of the Getty
Conservation Institute
and the Ministry of
Tourism and Antiquities.