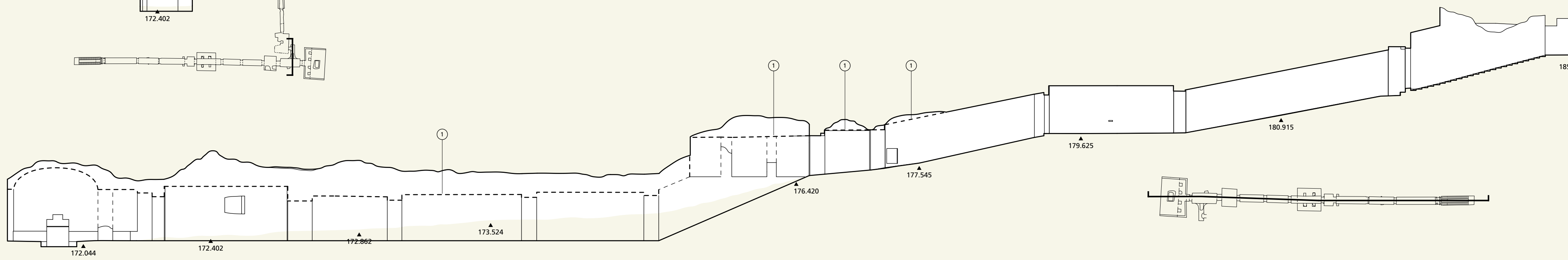
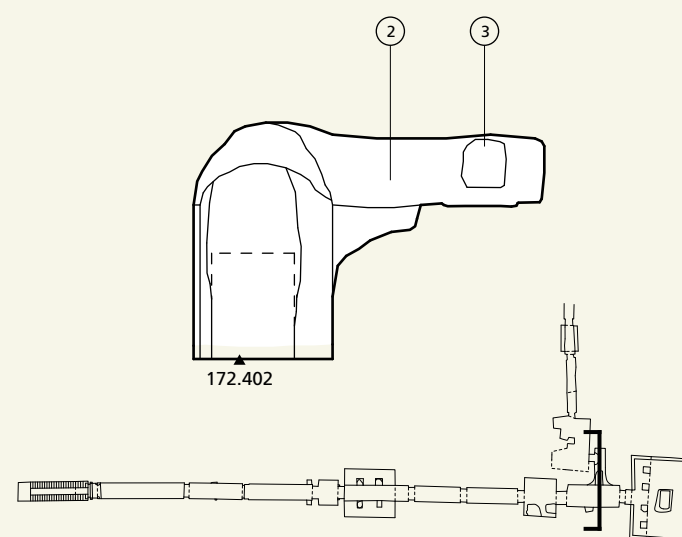
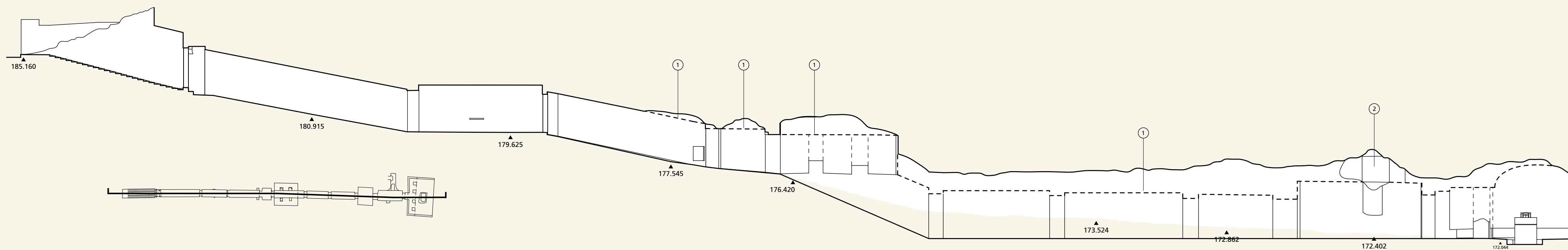
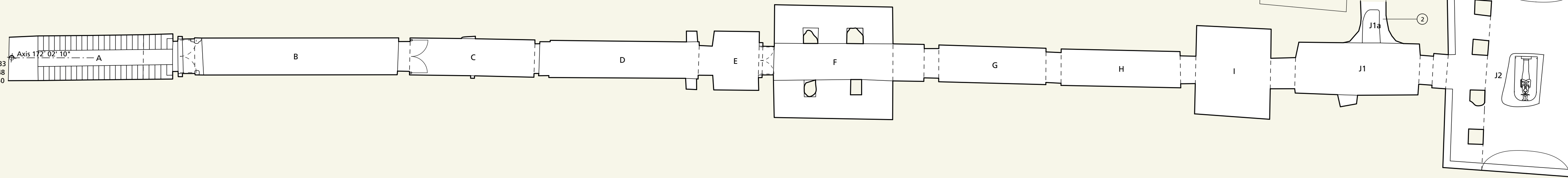


N 99,410.433  
E 93,997.048  
Elev 185.160



NOTES	
1	Traces of original ceiling; ceiling collapsed above..
2	Abandoned cuttings for intended burial chamber.
3	Breakthrough into KV 32.

