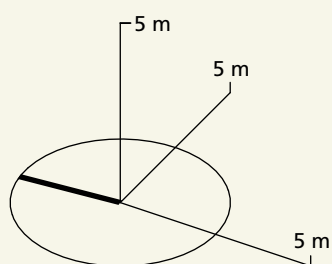
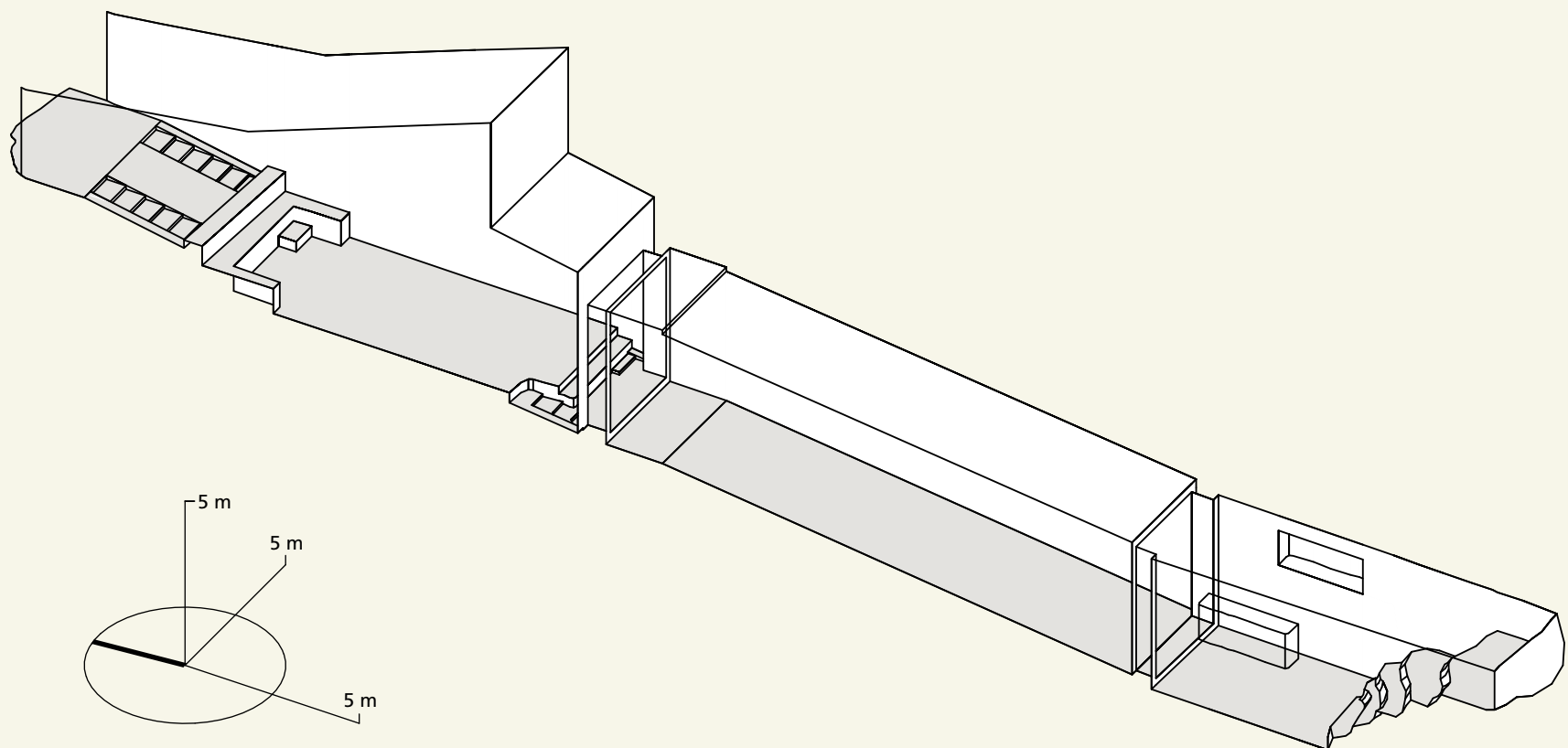
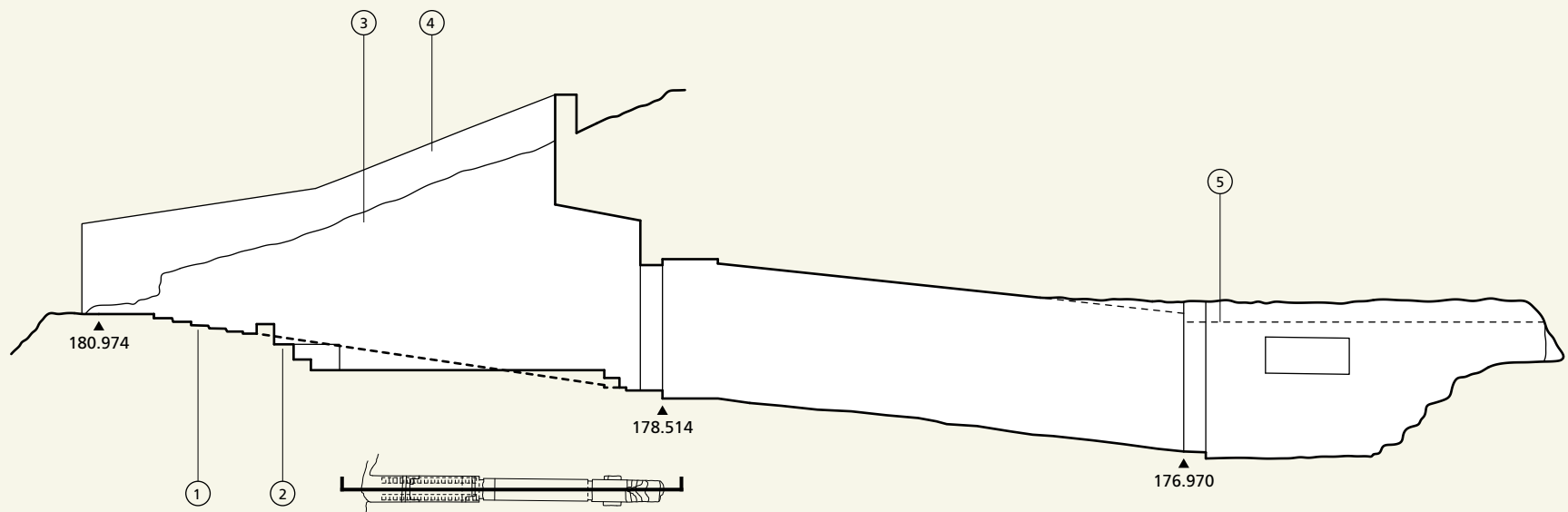
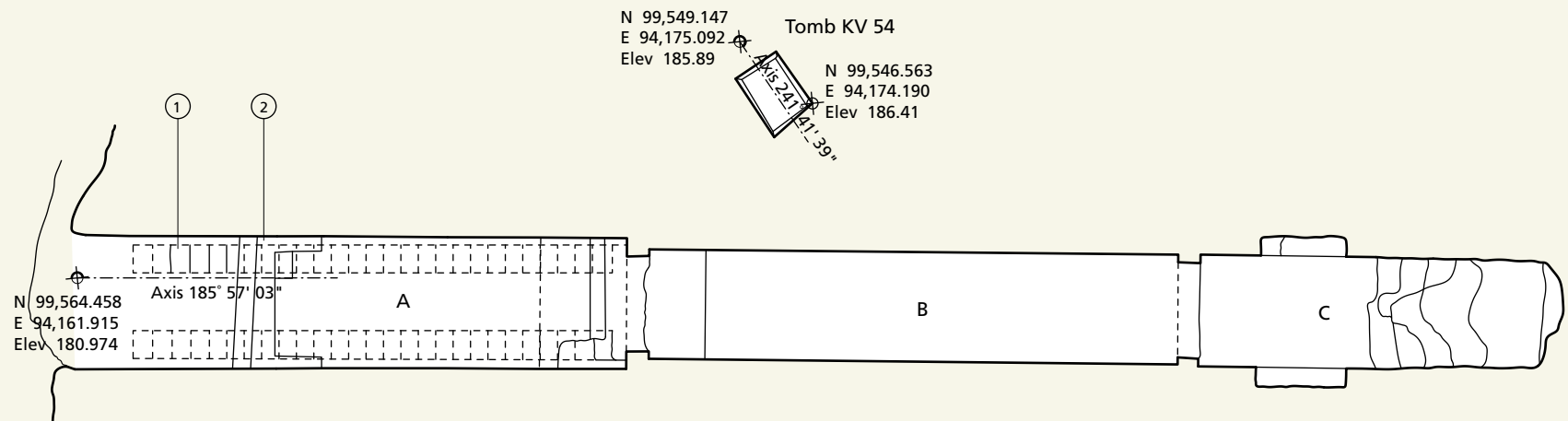
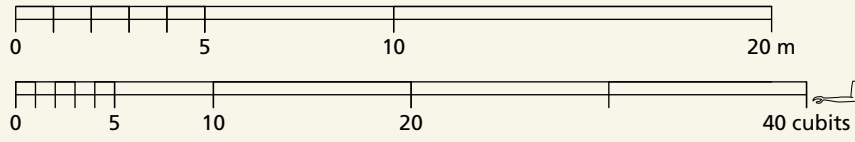
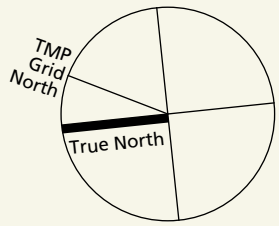


Courtesy Mission Siptah-Rameses X, Universität Basel



NOTES	
1	Original divided staircase, of which only a few steps remain.
2	Modern steps and floor built for housing power generator.
3	Original hillside.
4	Modern retaining wall.
5	Traces of original ceiling line; ceiling broken above.